

TAUNTON'S **Fine**  
**WoodWorking**

SKILL LEVEL:

- Beginner
- Intermediate**
- Advanced
- Expert

PROJECT PLAN #SU98

# Dovetailed Tea Box

## Included in the plans:

- Scale drawings
- Detailed cutlist
- SketchUp drawing



A study in texture and contrast, this tea box is essentially a box within a box. The outer box is wire-brushed wenge with proud dovetails. The liner is a mitered box made of a smooth, contrasting wood that offers a nice surprise when the box is opened. The base, ebony clasp, and hemp cord add detail and make this box as interesting to touch as it is to look at. Step-by-step instructions make it easy to cut the joinery and fit the boxes to one another. You'll also get a tip on how to use magnets to join the halves of the clasp.

Size: 4-1/8 in. wide by 10-3/8 in. long by 5 in. tall



**The Taunton Press**  
Inspiration for hands-on living®

63 South Main Street  
Newtown, CT 06470  
(203) 426-8171

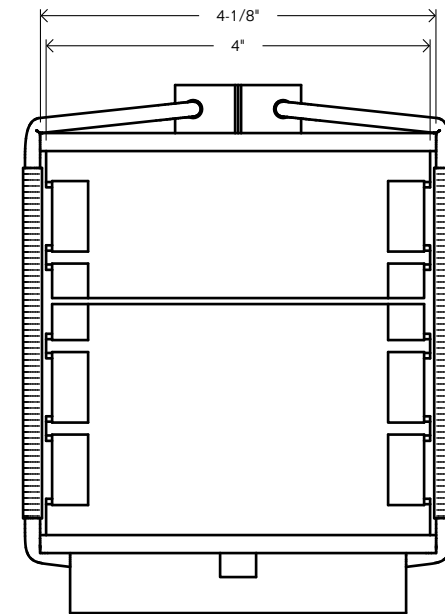
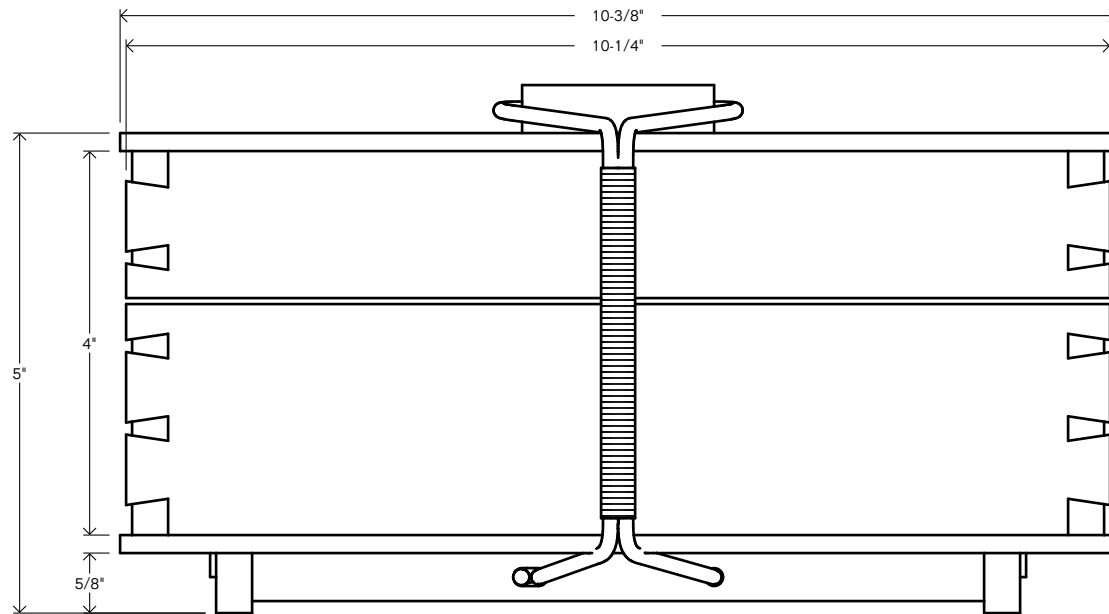
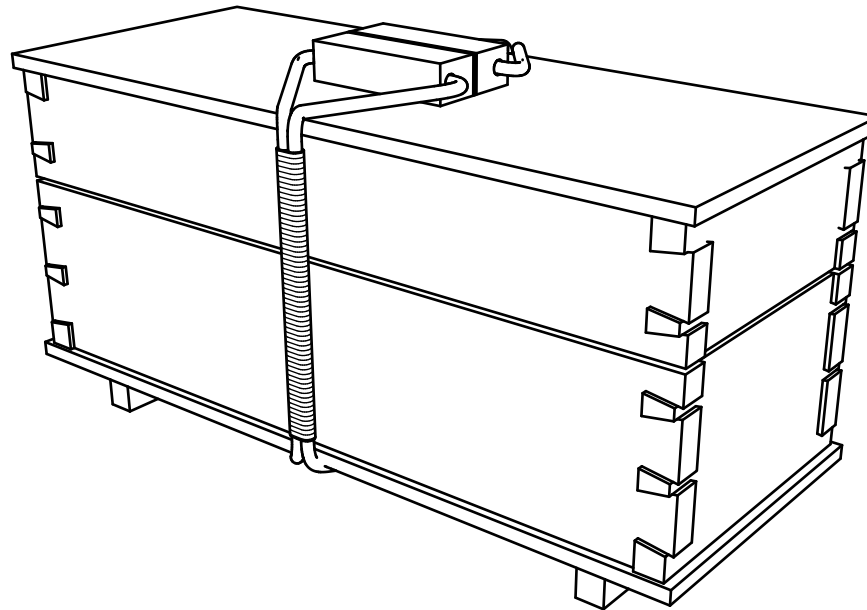
To purchase additional plans, visit [www.finewoodworking.com/planstore](http://www.finewoodworking.com/planstore)

Taunton Product # 065308

# Fine Wood Working

## Dovetailed Tea Box

By Michael Pekovich  
Drawings by Dave Richards



		Materials		
Qty	Description	Thickness	Width	Length
2	Top and bottom	7/16 in.	4-1/8 in.	10-3/8 in.
2	Side	3/8 in.	4 in.	10-1/4 in.
2	End	3/8 in.	4 in.	4 in.
2	Foot	3/8 in.	5/8 in.	3-1/2 in.
1	Stretcher	3/8 in.	1/2 in.	8-1/2 in.
2	Liner side	3/16 in.	2-3/4 in.	9-3/8 in.
2	Liner end	3/16 in.	2-3/4 in.	3-1/8 in.
2	Liner divider	3/16 in.	2-3/4 in.	2-15/16 in.
1	Liner bottom	3/16 in.	9-3/8 in.	
2	Clasp	1/2 in.	5/8 in.	2 in.
2	Cap	1/32 in.	1/2 in.	2 in.

Hemp cord 4mm  
Hemp twine 20 lb. Test  
Cord and twine from Turkey Foot Trading Co. <http://turkeyfootllc.com/>  
8 Rare earth magnet 1/4 in. dia by 1/8 in. thick  
4 Flathead woodscrew #6 by 5/8 in. long

Top,  
7/16 in. thick by  
4-1/8 in. wide by  
10-3/8 in. long

Flathead woodscrew,  
#6 by 5/8 in. to attach feet,  
4 places

Side,  
3/8 in. thick by  
4 in. wide by  
10-1/4 in. long

Side,  
3/8 in. thick by  
4 in. wide by  
10-1/4 in. long

End,  
3/8 in. thick by  
4 in. wide by  
4 in. long

Bottom,  
7/16 in. thick by  
4-1/8 in. wide by  
10-3/8 in. long

Stretcher,  
3/8 in. thick by  
1/2 in. wide by  
8-1/2 in. long

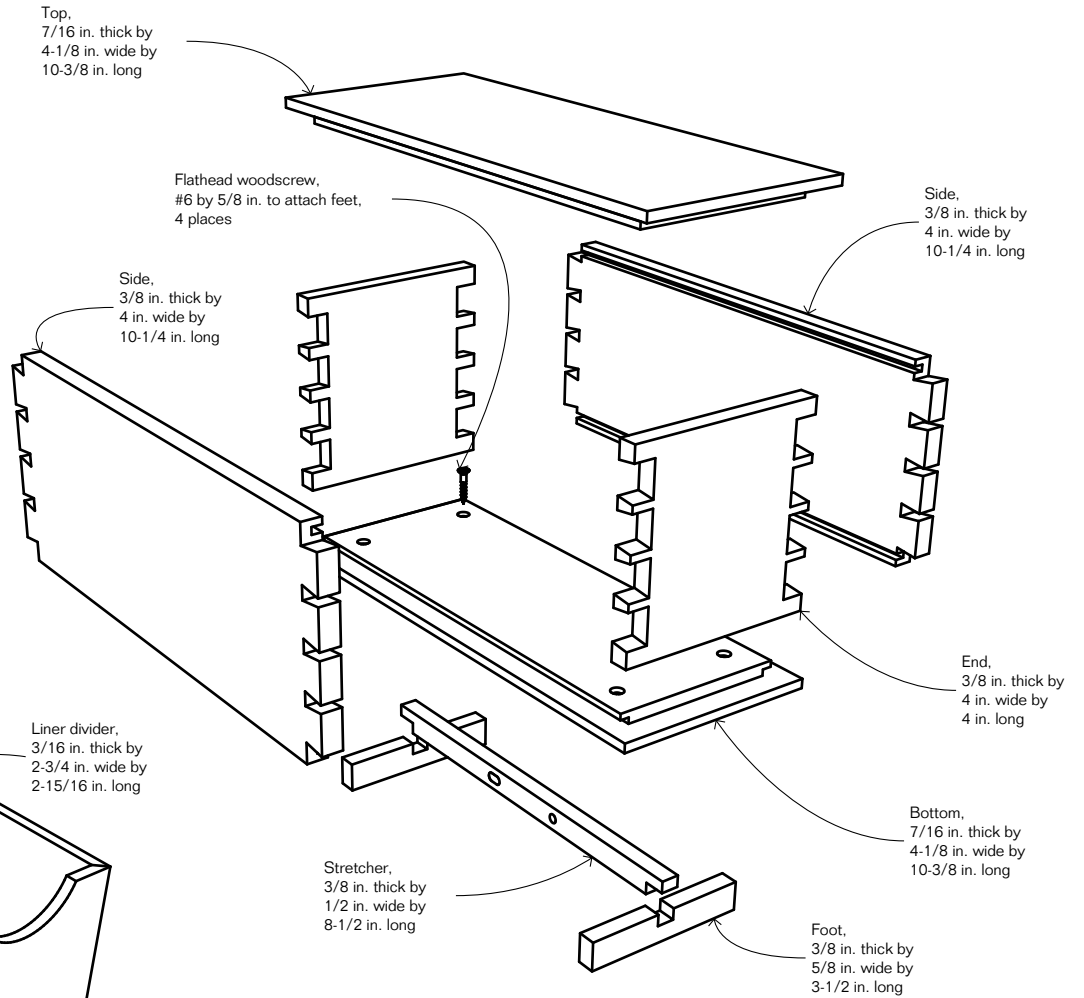
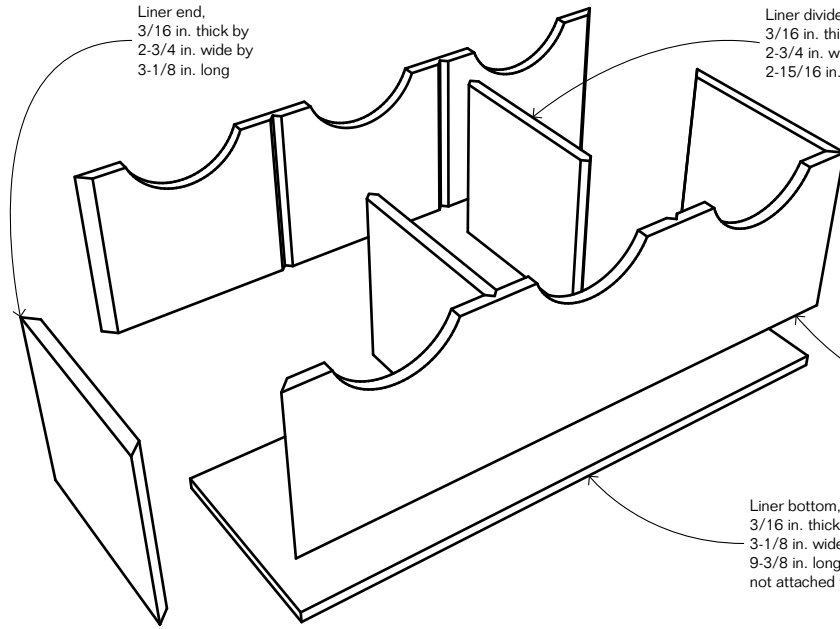
Foot,  
3/8 in. thick by  
5/8 in. wide by  
3-1/2 in. long

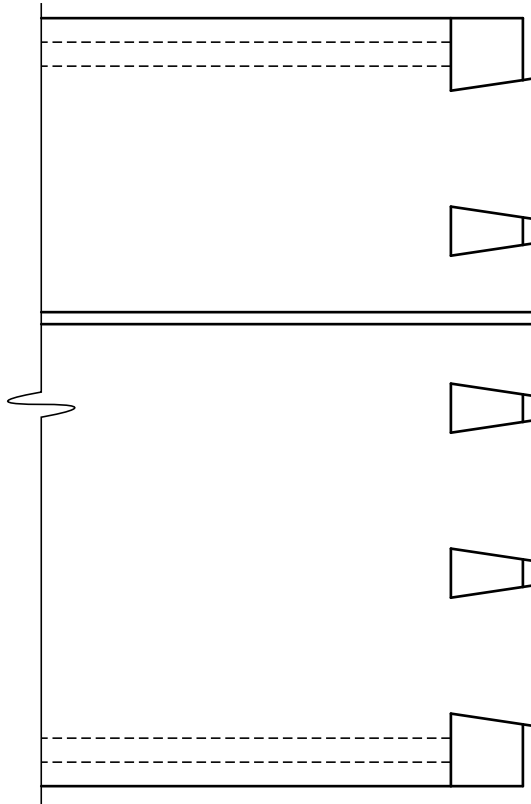
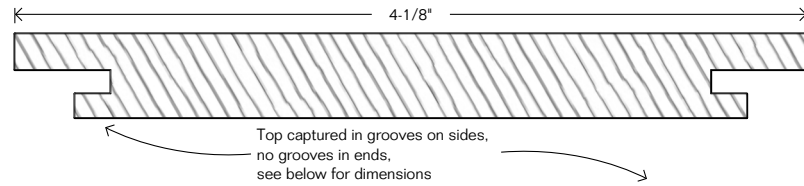
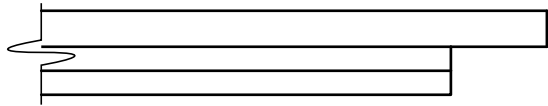
Liner end,  
3/16 in. thick by  
2-3/4 in. wide by  
3-1/8 in. long

Liner divider,  
3/16 in. thick by  
2-3/4 in. wide by  
2-15/16 in. long

Liner side,  
3/16 in. thick by  
2-3/4 in. wide by  
9-3/8 in. long

Liner bottom,  
3/16 in. thick by  
3-1/8 in. wide by  
9-3/8 in. long,  
not attached to the liner box





Tails and pins are left 1/16-in. proud

Cut box open at band saw after assembly

