

CUTLIST FOR ROUND TABLE

PART	MATERIAL	QTY	DIMENSIONS
Leg	Walnut	4	1-5/16 X 1-5/16 X 23-1/4
Top rail	Walnut	2	1-5/16 X 2 X 14
Bottom rail	Walnut	2	3/4 X 1-5/16 X 12-7/8
Top	Walnut	1	3/4 X 18 X 18
Shelf	Walnut	1	5/8 X 10 X 10
Corner blocks	Walnut	4	3/4 X 2 X 2

TOP, 3/4" THICK BY 18" WIDE BY 18" LONG.

TOP RAIL, 1 5/16" THICK BY 2" WIDE BY 14" LONG.

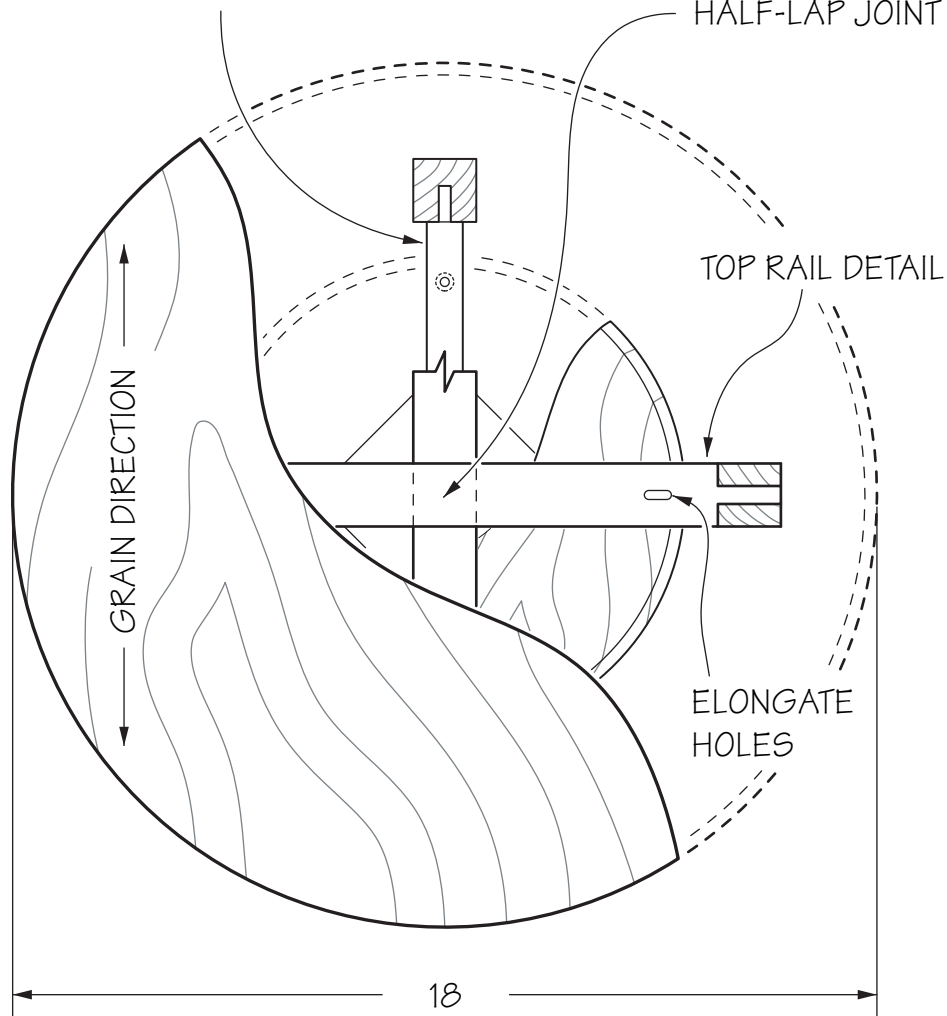
SHELF, 5/8" THICK BY 10" WIDE BY 10" LONG.

BOTTOM RAIL, 3/4" THICK BY 1 5/16" WIDE BY 12 7/8" LONG.

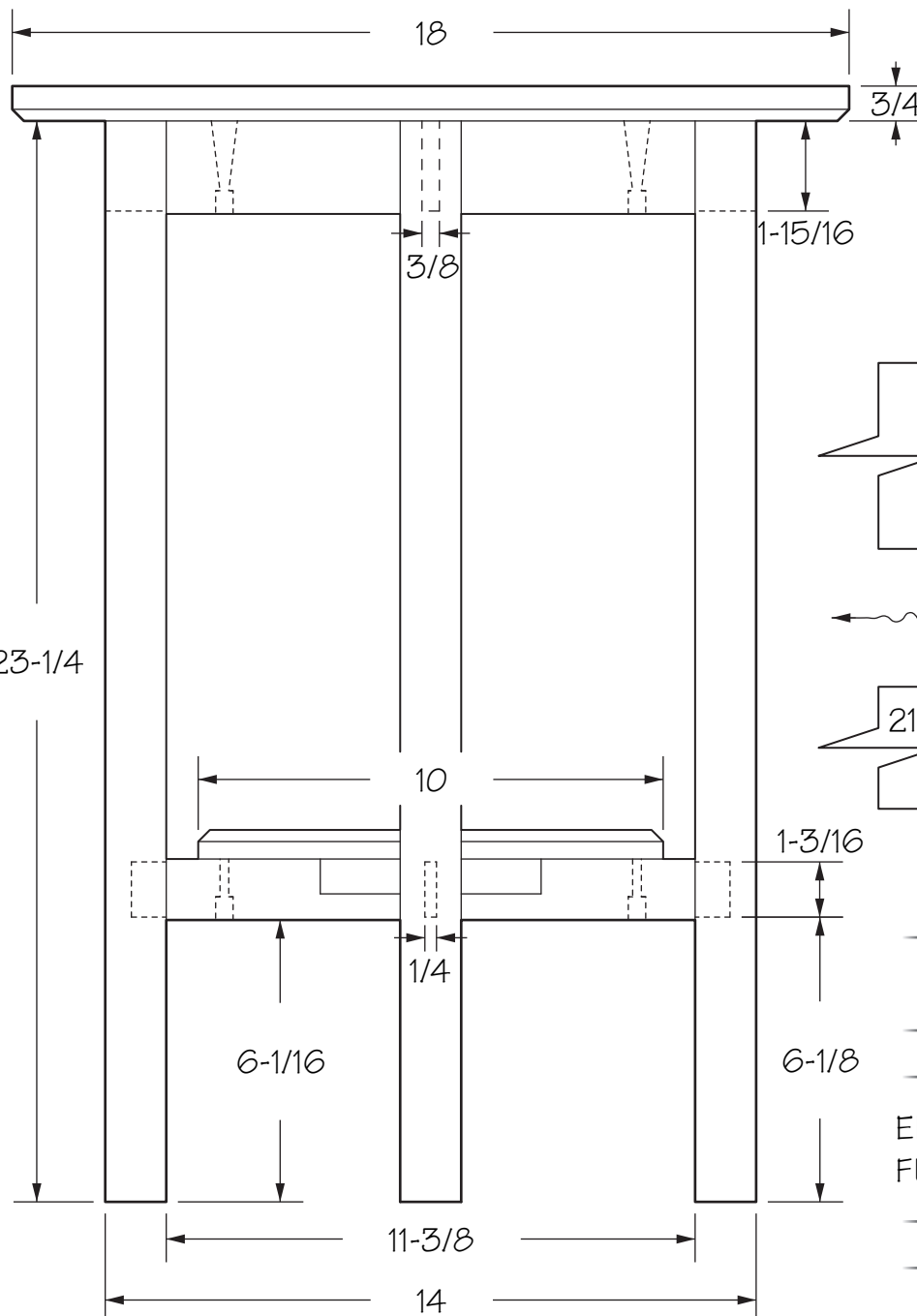
LEGS, 1 5/16" SQUARE BY 23 1/4" LONG.

CORNER BLOCKS, 3/4" THICK BY 2" LONG.

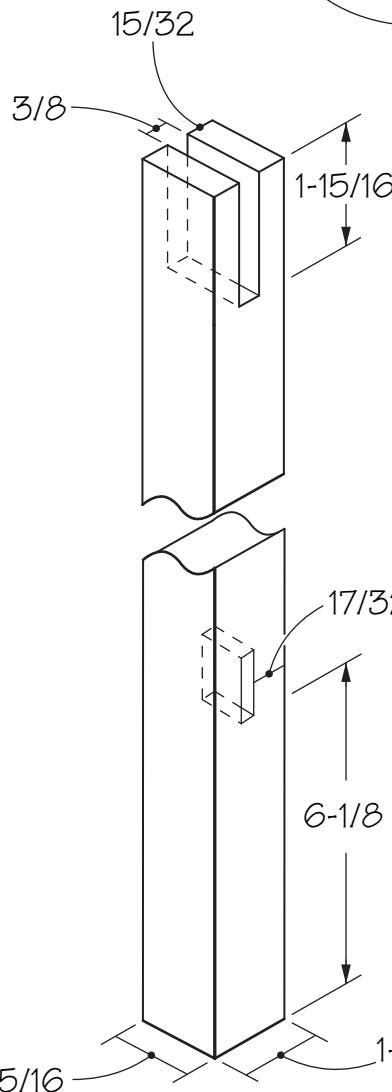
BOTTOM RAIL DETAIL



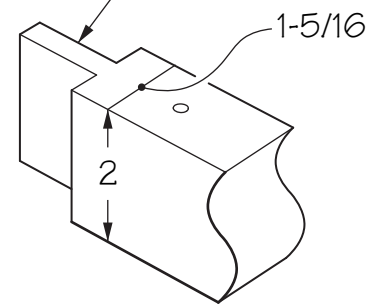
TOP VIEW SCALE 1/4" = 1"



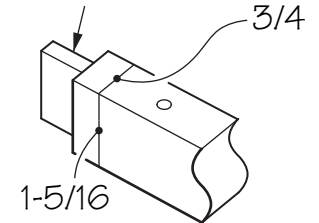
FRONT VIEW SCALE 1/4" = 1"



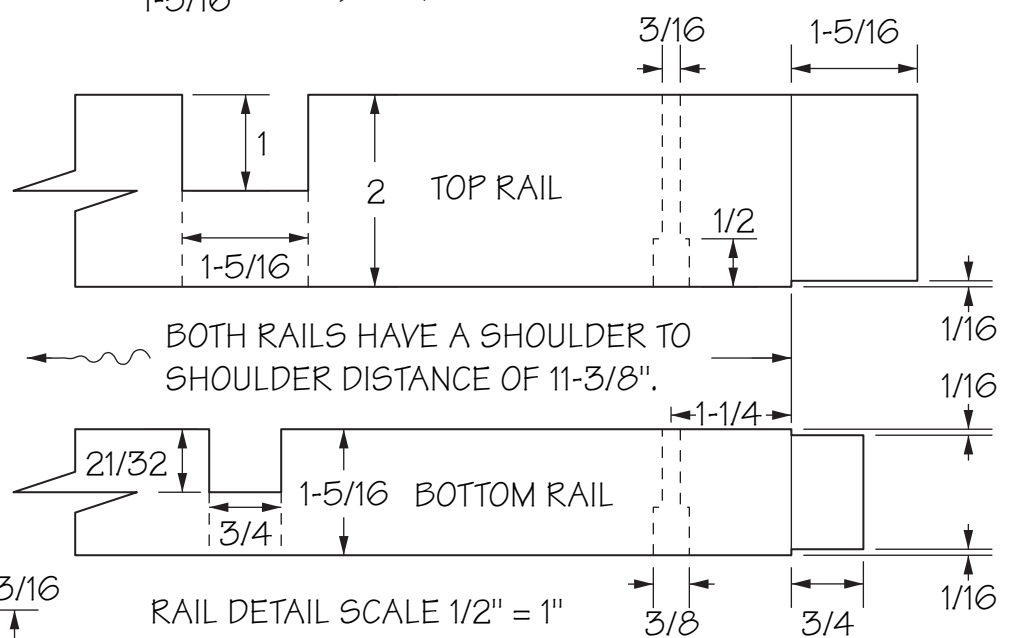
3/8" THICK TENON CENTERED ON THE THICKNESS OF THE RAIL.



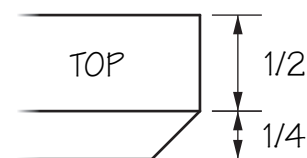
1/4" THICK TENON CENTERED ON THE THICKNESS OF THE RAIL.



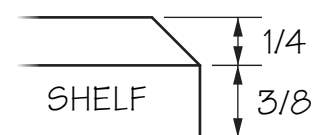
RAIL JOINERY DETAIL



BOTH RAILS HAVE A SHOULDER TO SHOULDER DISTANCE OF 11-3/8".



EDGE PROFILE FULL SCALE



Fine Wood Working

ROUND TABLE

DESIGN: GARY ROGOWSKI

DRAWING: JASON BENNETT

©2007 The Taunton Press, Inc.