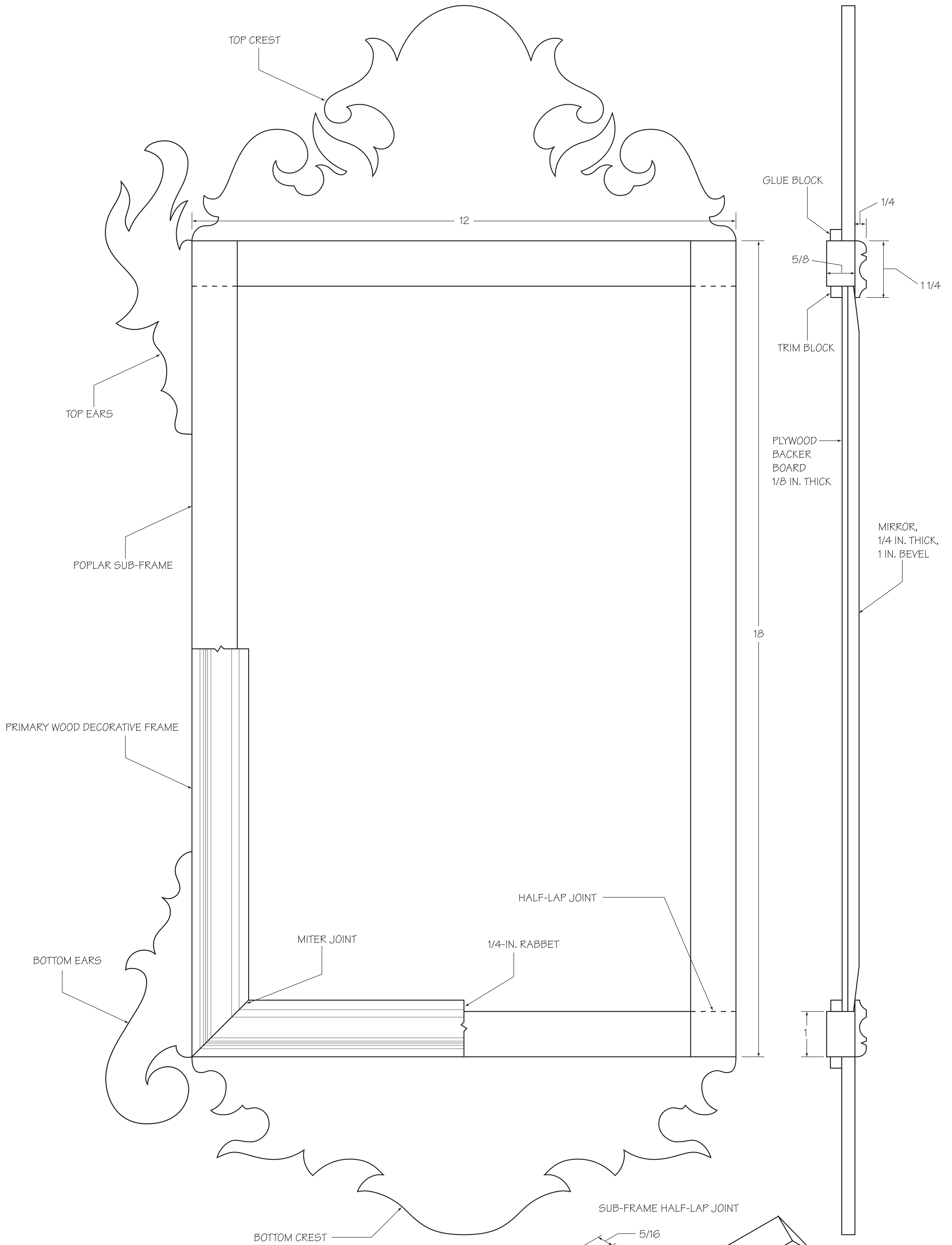
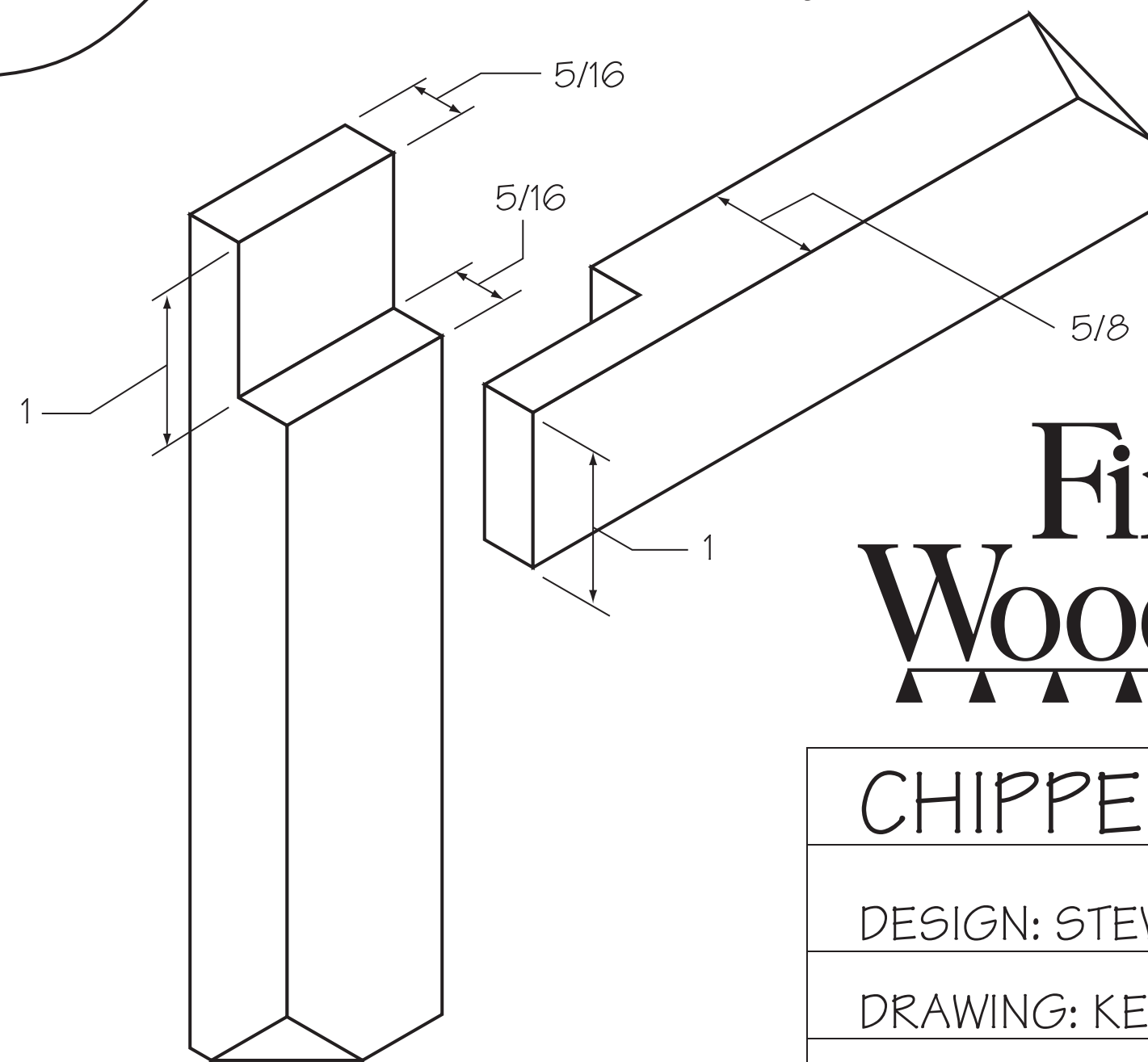


SCALE 1" = 1"



CUTLIST FOR CHIPPENDALE MIRROR			
PART	MATERIAL	QTY	DIMENSIONS*
Sub-frame short	Poplar	2	1 x 5/8 x 12
Sub-frame long	Poplar	2	1 x 5/8 x 18
Primary frame short	Primary wood	2	1 1/4 x 1/4 x 12
Primary frame long	Primary wood	2	1 1/4 x 1/4 x 18
Veneer core	Poplar	1	12 1/2 x 12 1/2 x 1/4
Veneer	Primary wood	2 sheets	13 x 13
Backing board	Plywood	1	10 x 16 x 1/8
Glue blocks	Poplar	10	1/4 x 1/4 x 3 1/2
Trim blocks	Poplar	2	1/4 x 1/4 x 16
Trim blocks	Poplar	2	1/4 x 1/4 x 10

*ALL DIMENSIONS IN INCHES



**Fine
Wood Working**

CHIPPENDALE MIRROR

DESIGN: STEVE LATTA

DRAWING: KELLY J. DUNTON

©2006 THE TAUNTON PRESS, INC.