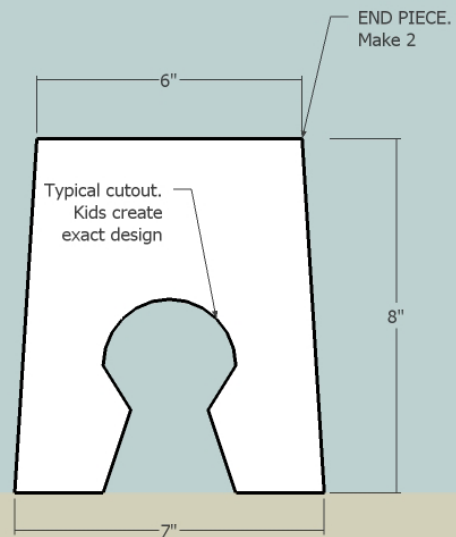
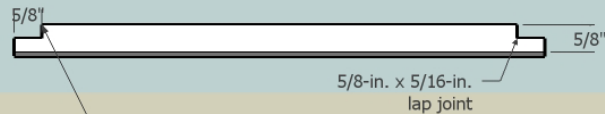
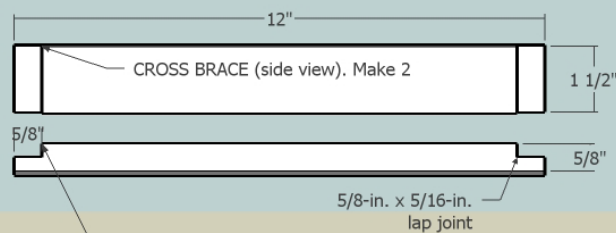
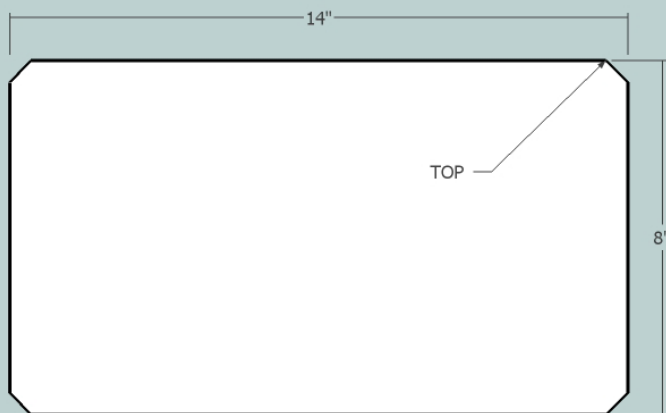
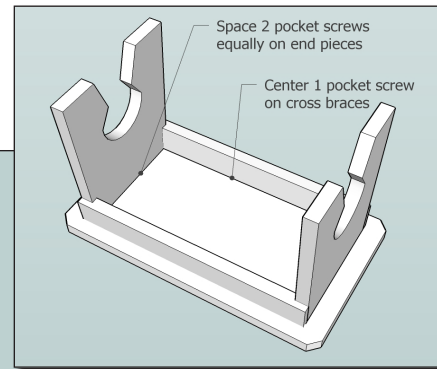


Fine Woodworking

Kid's Woodworking Project: A Small Bench *by Doug Stowe*



CUTLIST

Piece	Quantity	Material	Size
Top	1	White Oak	5/8 x 8 x 14
Cross brace	2	White Oak	5/8 x 1-1/2 x 12
End piece	2	White Oak	5/8 x 8 x 7

If you use white pine instead of hardwood, increase thickness of components to 3/4 in. and make lap joint 3/8 x 3/4 in.