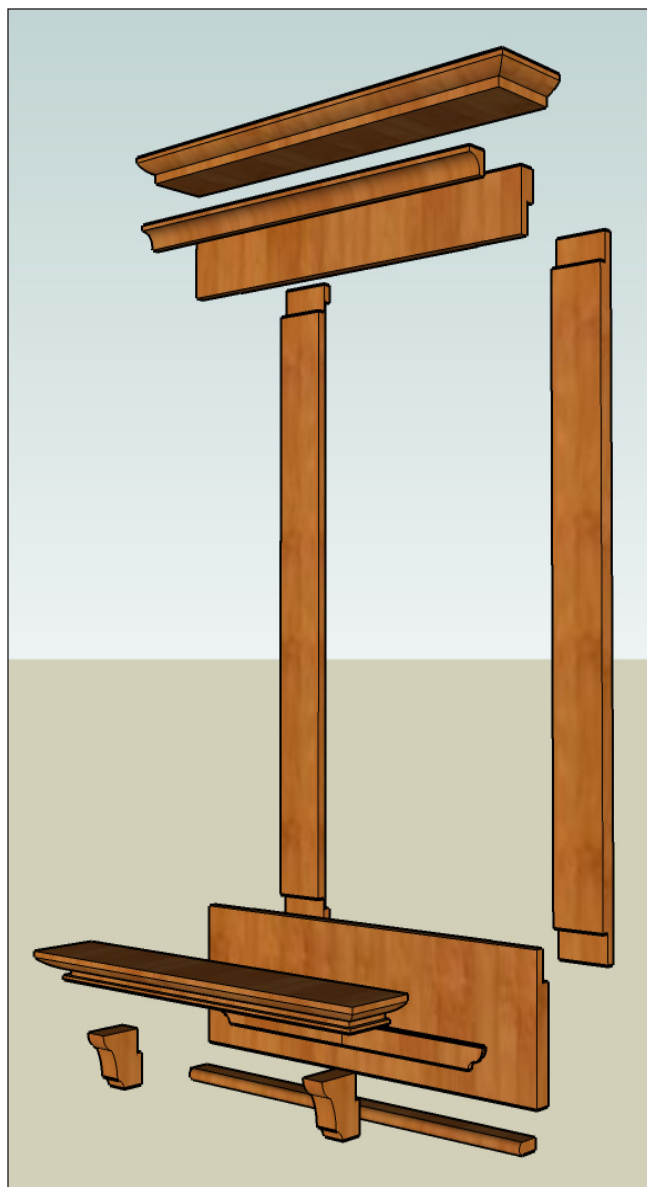
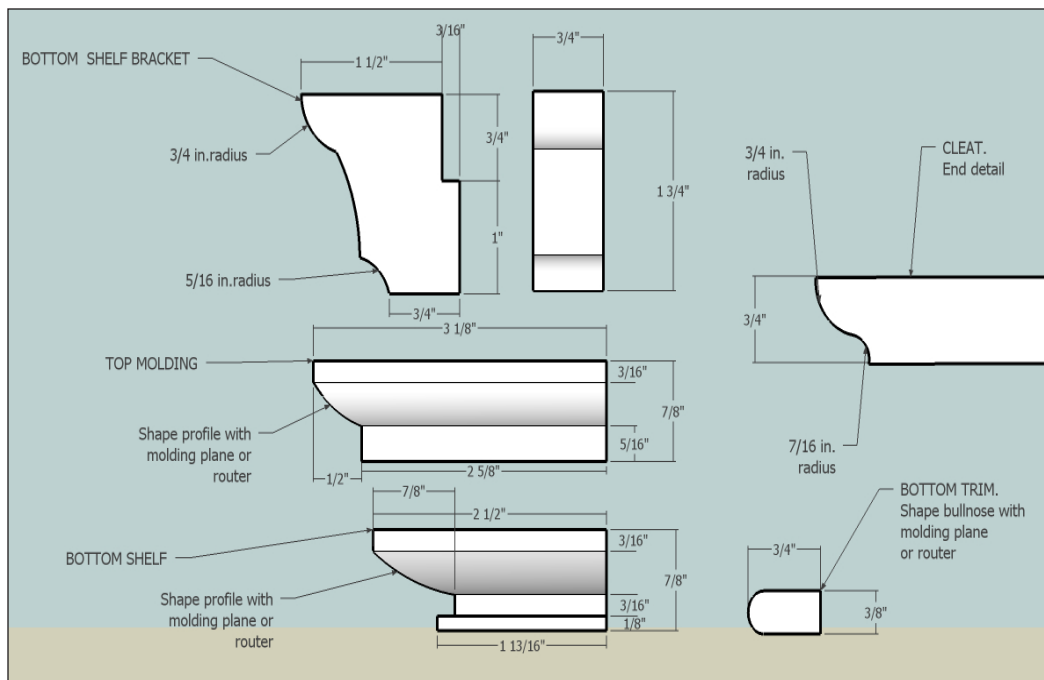
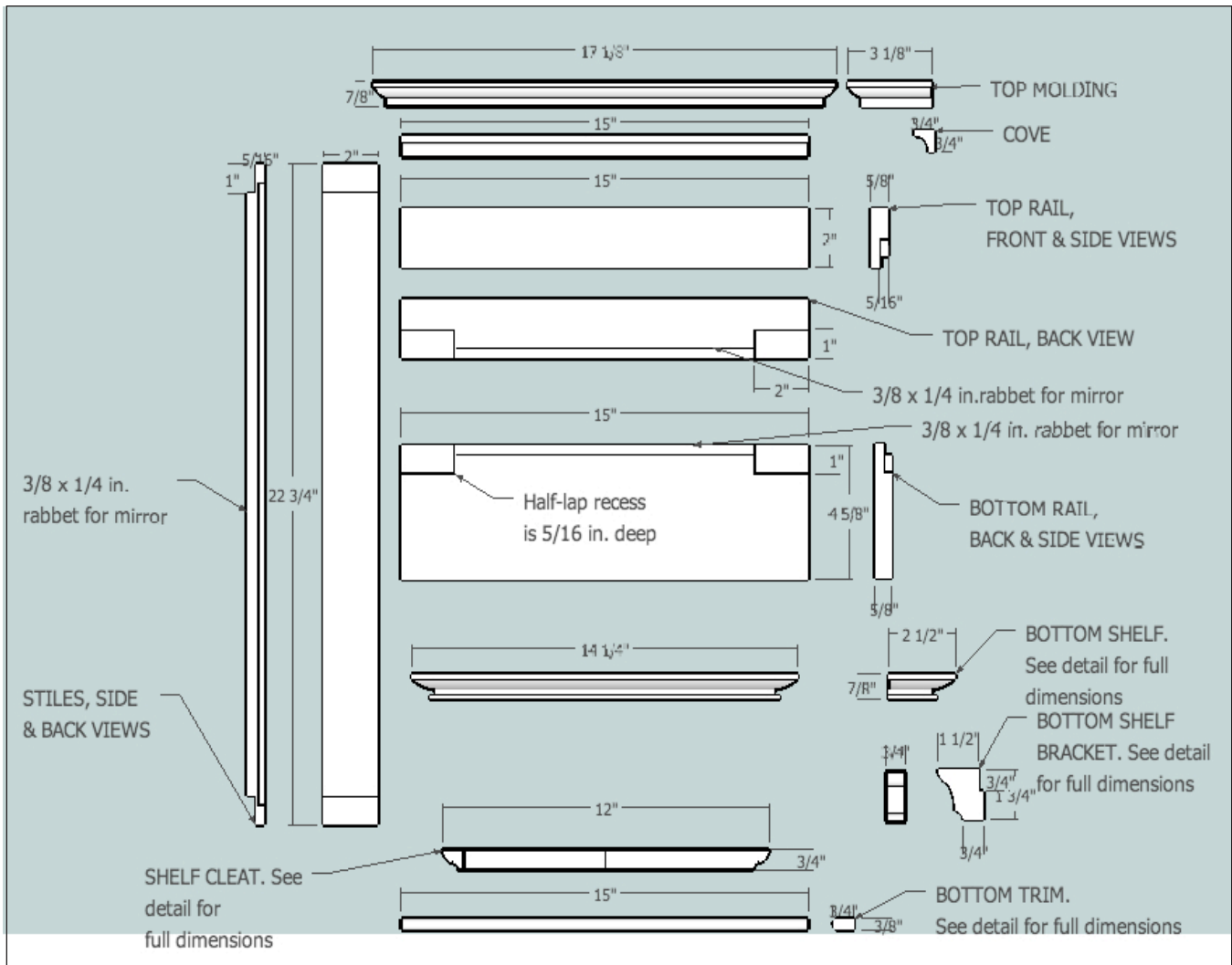


Fine Woodworking

Measured drawing and cutlist
for traditional mirror frame
by Glen Guarino

Copyright © 2007 Taunton Press





Cutlist

Component	Quantity	Dimensions	Material
Top molding	1	7/8 x 17-1/8 x 3-1/8	Mahogany
Cove	1	3/4 x 3/4 x 15	Mahogany
Top rail	1	5/8 x 15 x 2	Mahogany
Stile	2	5/8 x 22-3/4 x 2	Mahogany
Bottom rail	1	5/8 x 15 x 4-5/8	Mahogany
Bottom shelf	1	7/8 x 14-1/4 x 2-1/2	Mahogany
Bottom shelf bracket	2	3/4 x 1-3/4 x 1-11/16	Mahogany
Bottom trim	1	3/4 x 3/8 x 15	Mahogany

