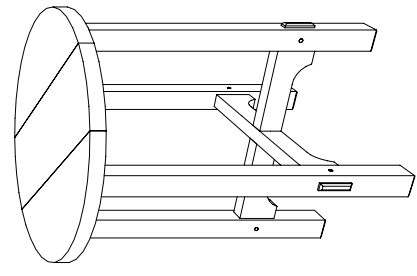
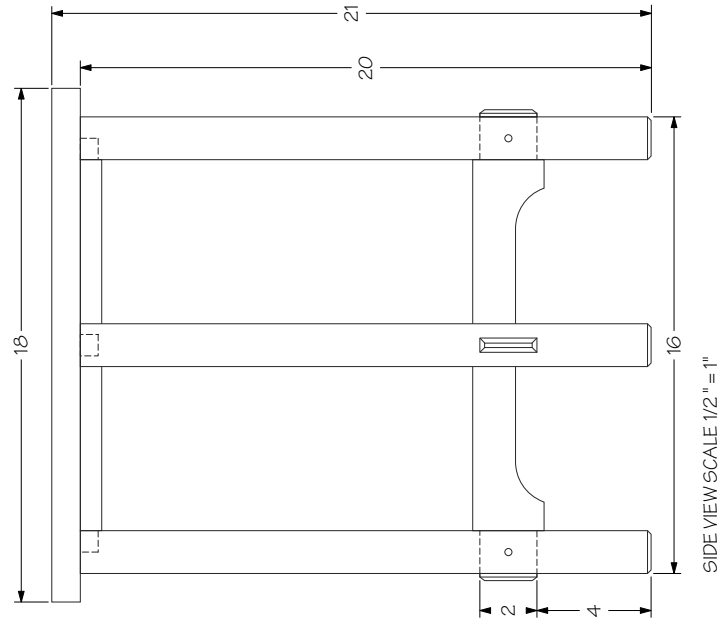
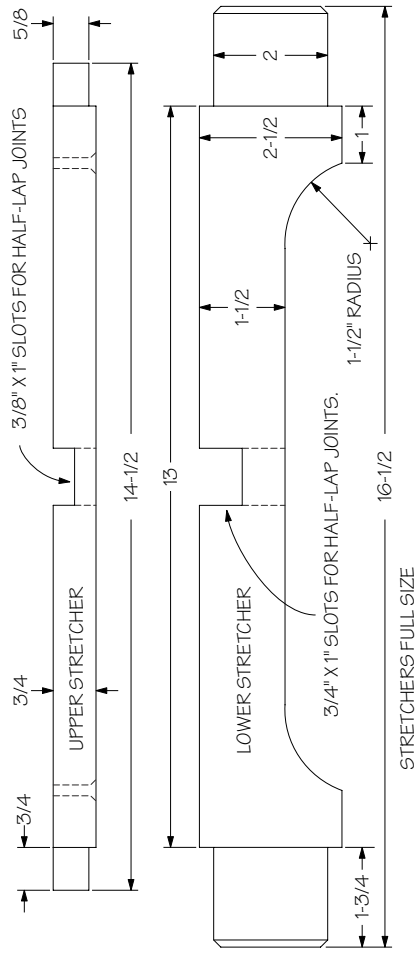
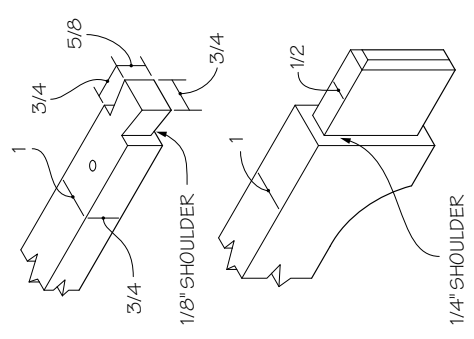


OUTLET FOR PARTS AND CRAFTS SIDE TABLE

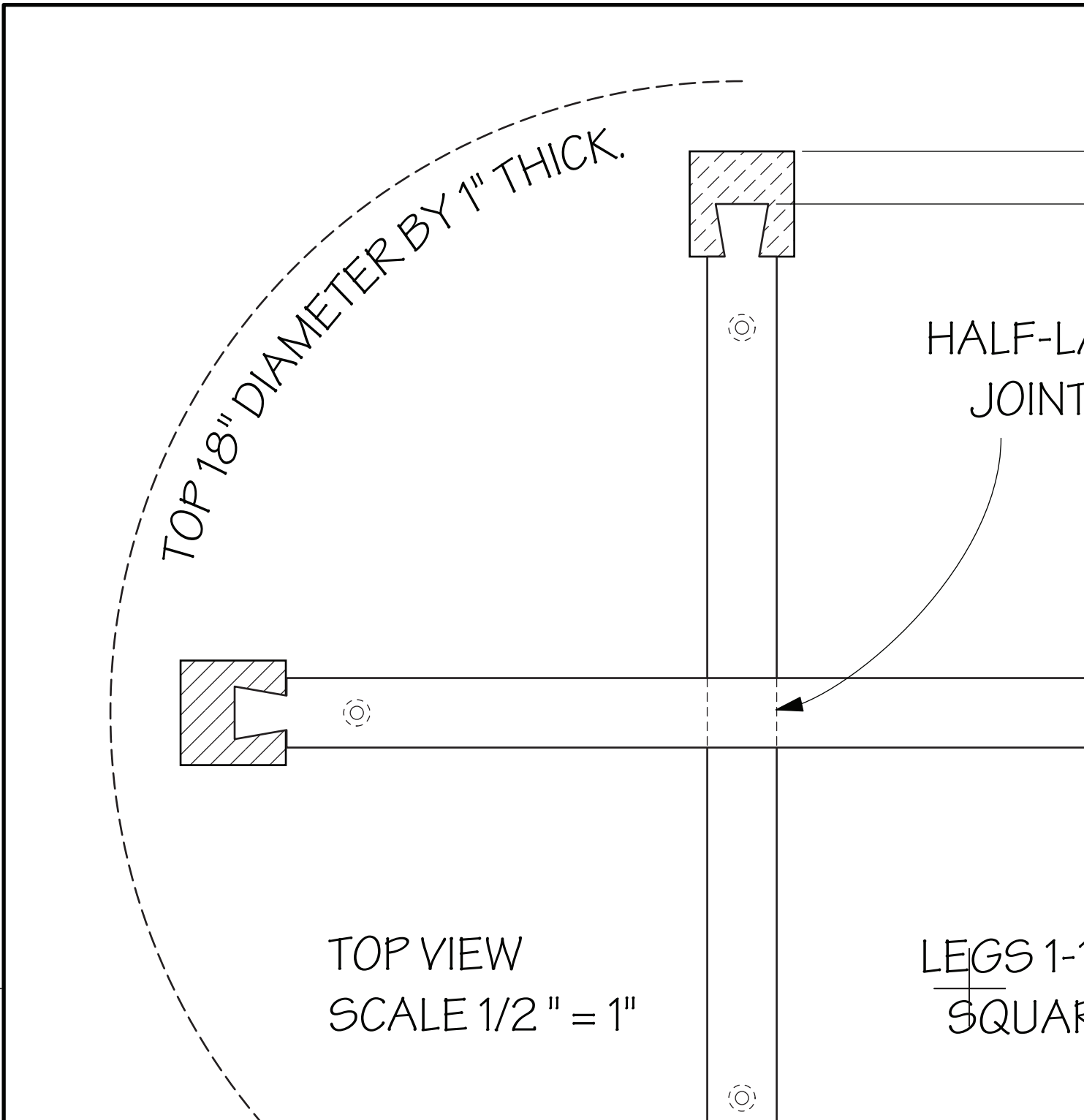
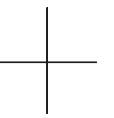
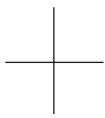
PART	MATERIAL	QTY	DIMENSIONS*
Top	White Oak	1	18 round x 1 thick
Leg	White Oak	4	1 1/2 square x 20 tall
Upper stretcher	White Oak	2	14 1/2 x 3/4 x 1
Lower stretcher	White Oak	2	16 1/2 x 2 1/2 x 1
Dowel	Ebony	4	1/4 round x 2

*ALL MEASUREMENTS IN INCHES.



Fine WoodWorking

A&C SIDE TABLE
DESIGN: KELLY DUNTON
DRAWING: JOHN HARTMAN
DATE: 2006

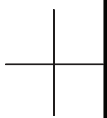


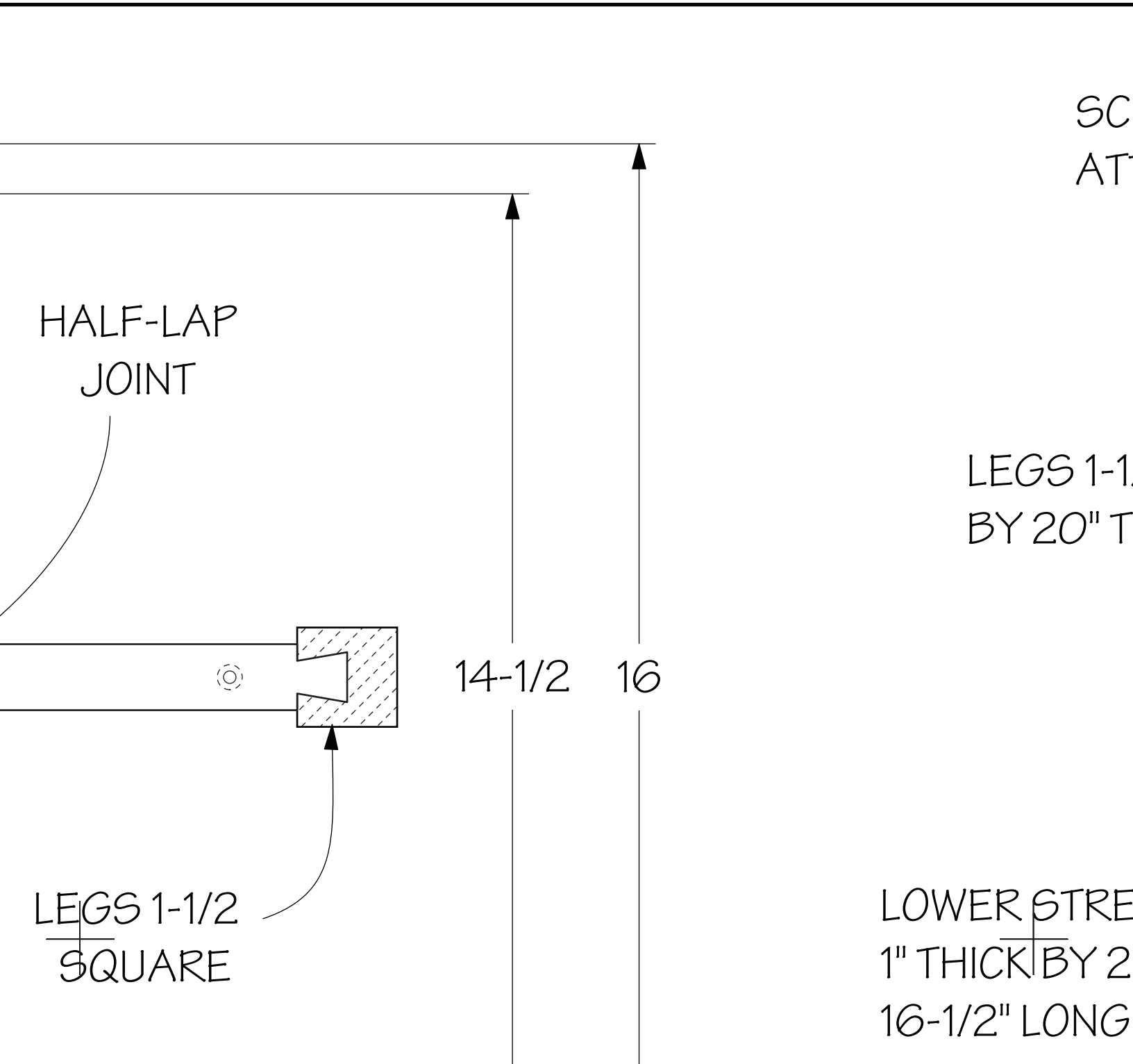
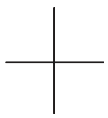
TOP 18" DIAMETER BY 1" THICK.

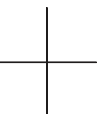
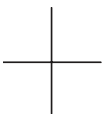
HALF-LA
JOINT

TOP VIEW
SCALE 1/2" = 1"

LEGS 1-1
SQUAR



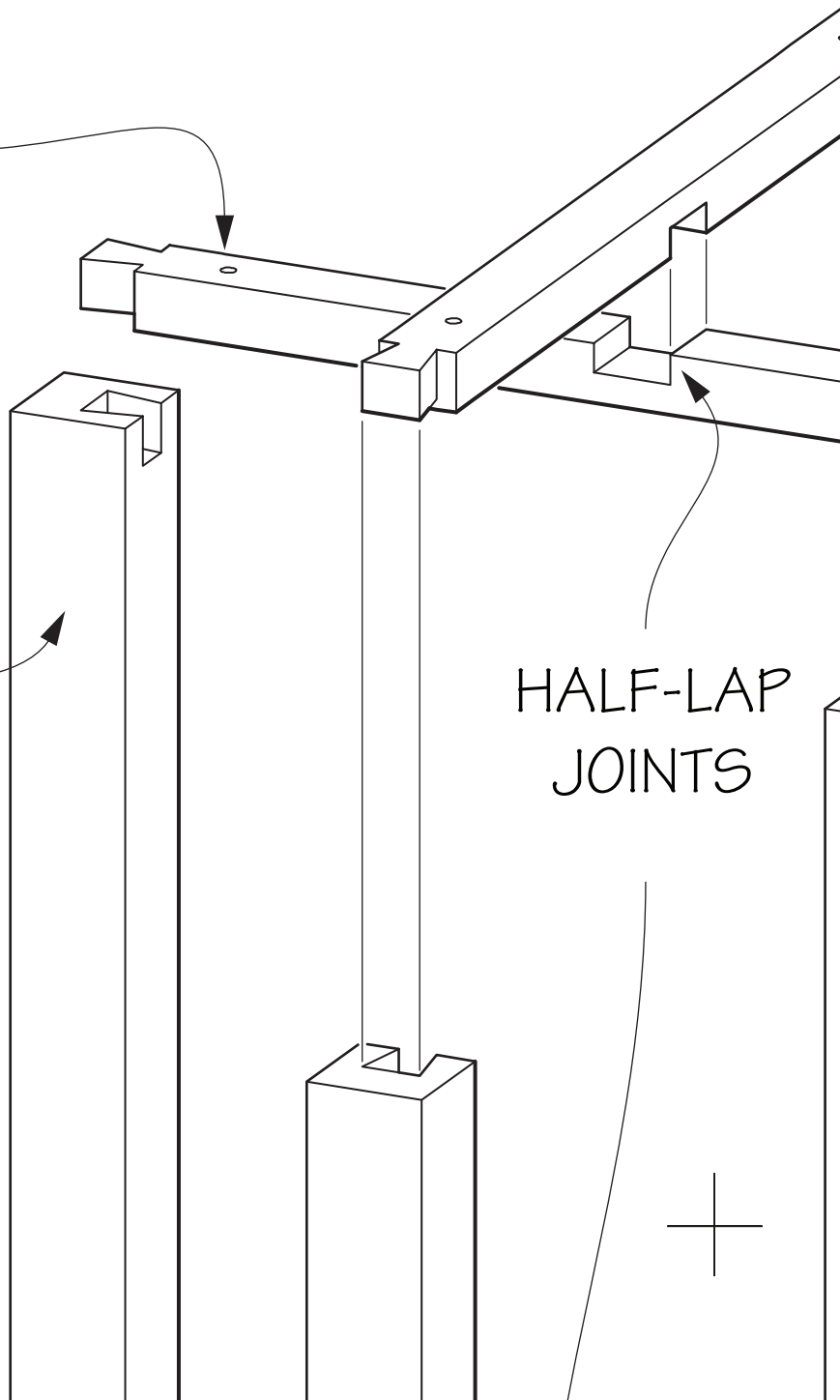




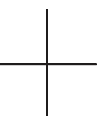
SCREW HOLES FOR
ATTACHING TOP.

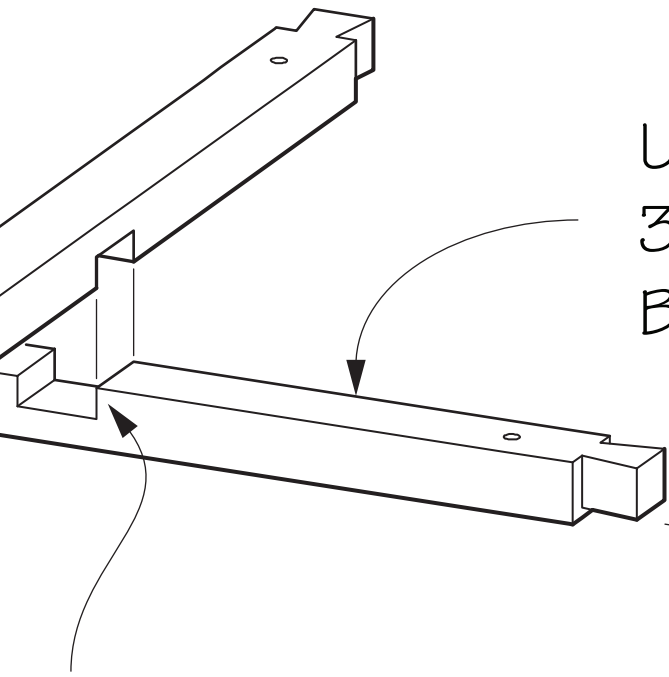
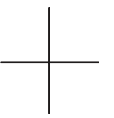
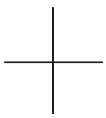
LEGS 1-1/2" SQ.
BY 20" TALL.

LOWER STRETCHERS
THICK BY 2-1/2" WIDE BY
1/2" LONG.



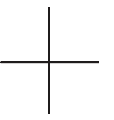
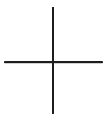
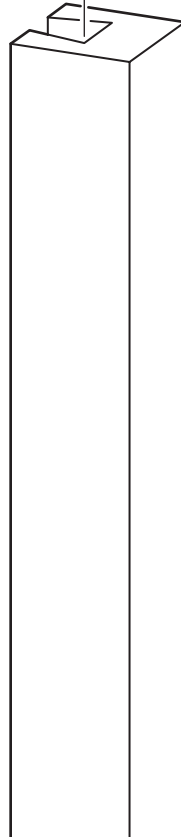
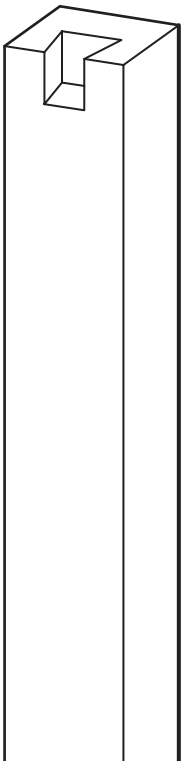
HALF-LAP
JOINTS

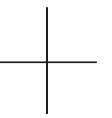
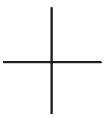
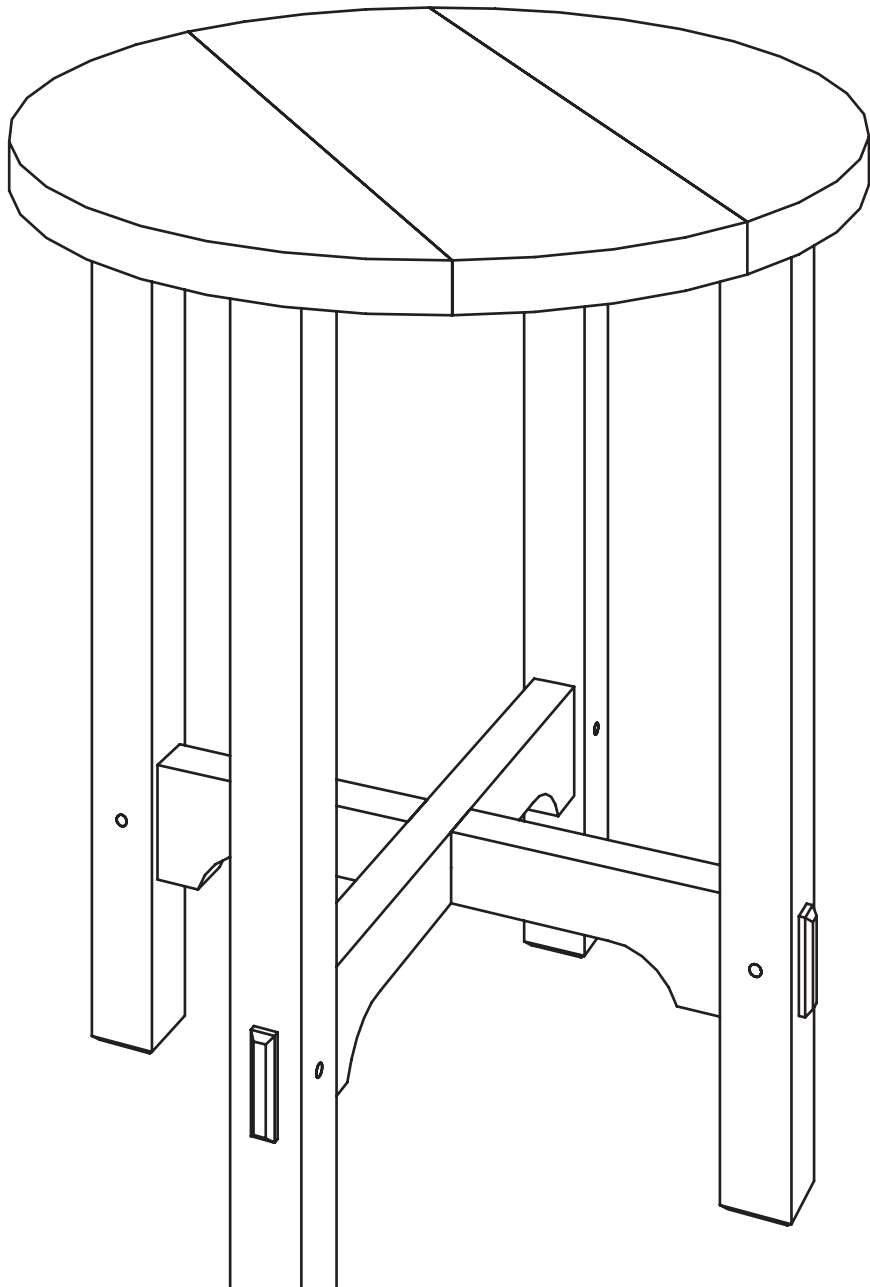
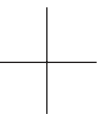
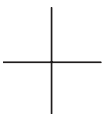




UPPER STRETCHERS
3/4" THICK BY 1" WIDE
BY 14-1/2" LONG.

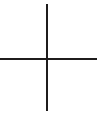
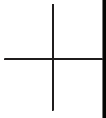
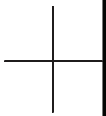
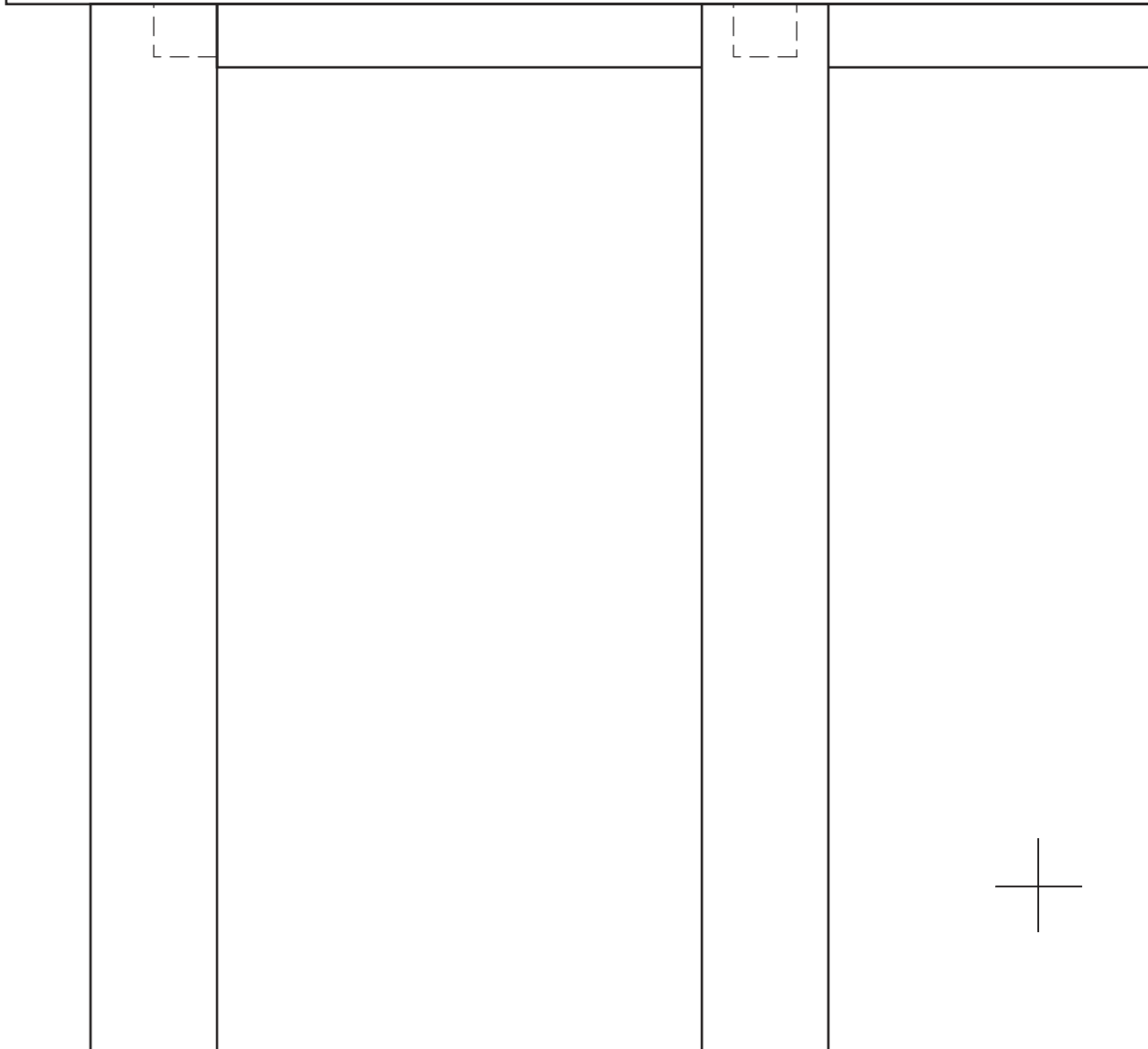
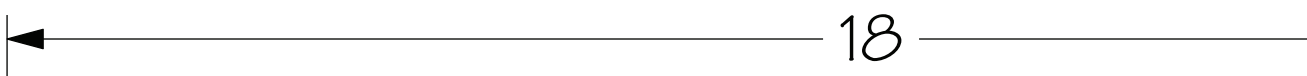
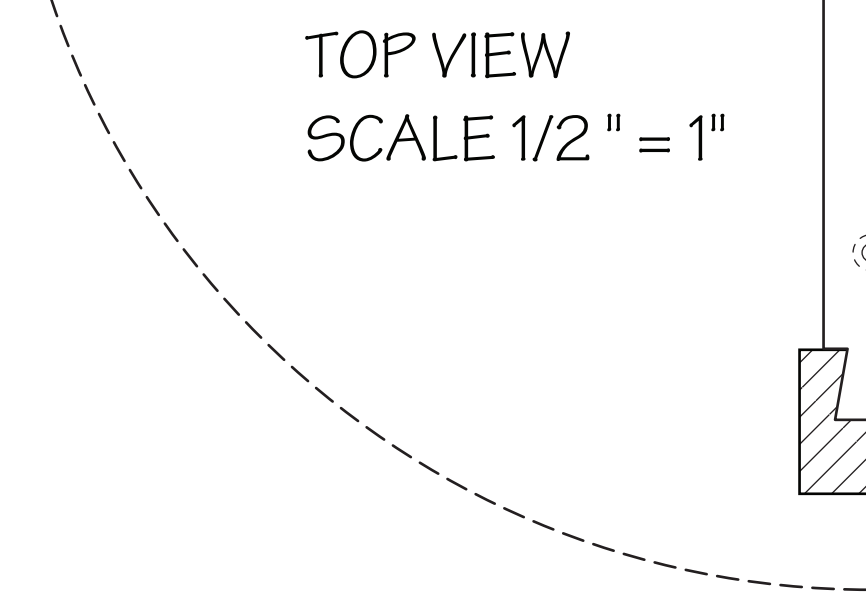
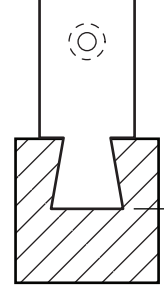
HALF-LAP
JOINTS





TOP VIEW
SCALE 1/2" = 1"

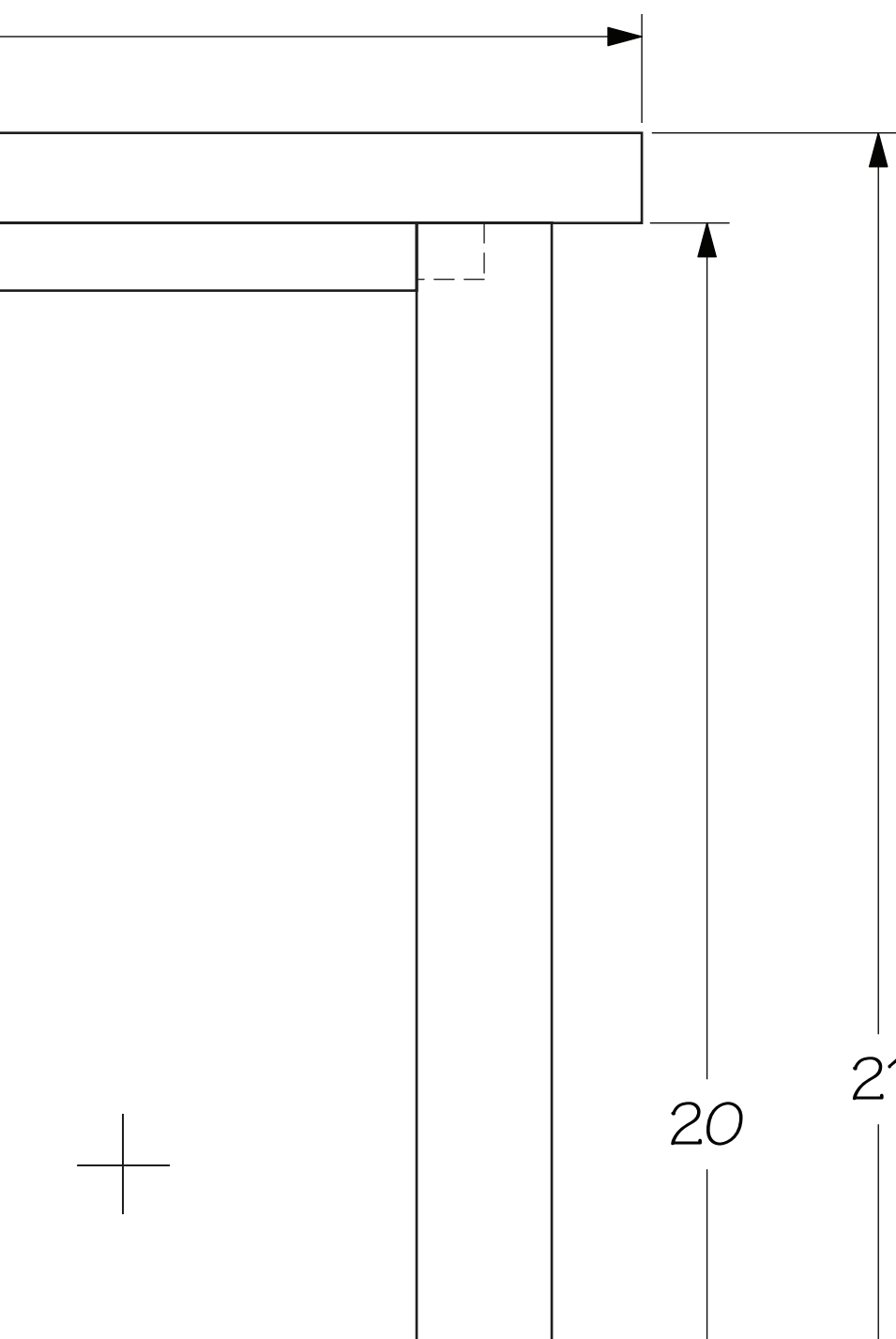
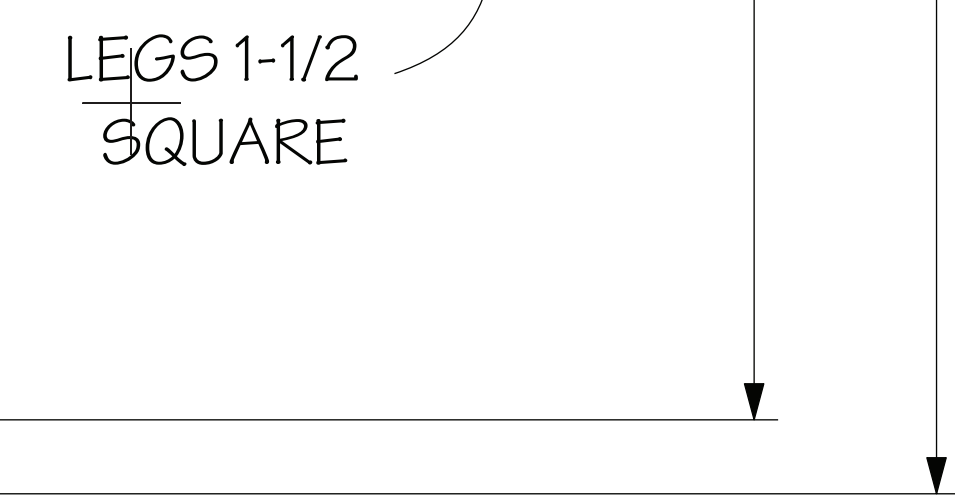
LEGS 1
SQUA



LEGS 1-1/2
SQUARE

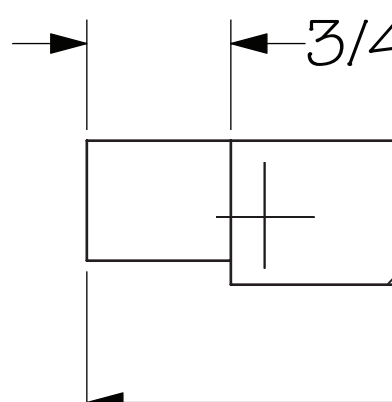
LOWER STRE
1" THICK BY 2
16-1/2" LONG

1/8" CHAM
BOTTOM C



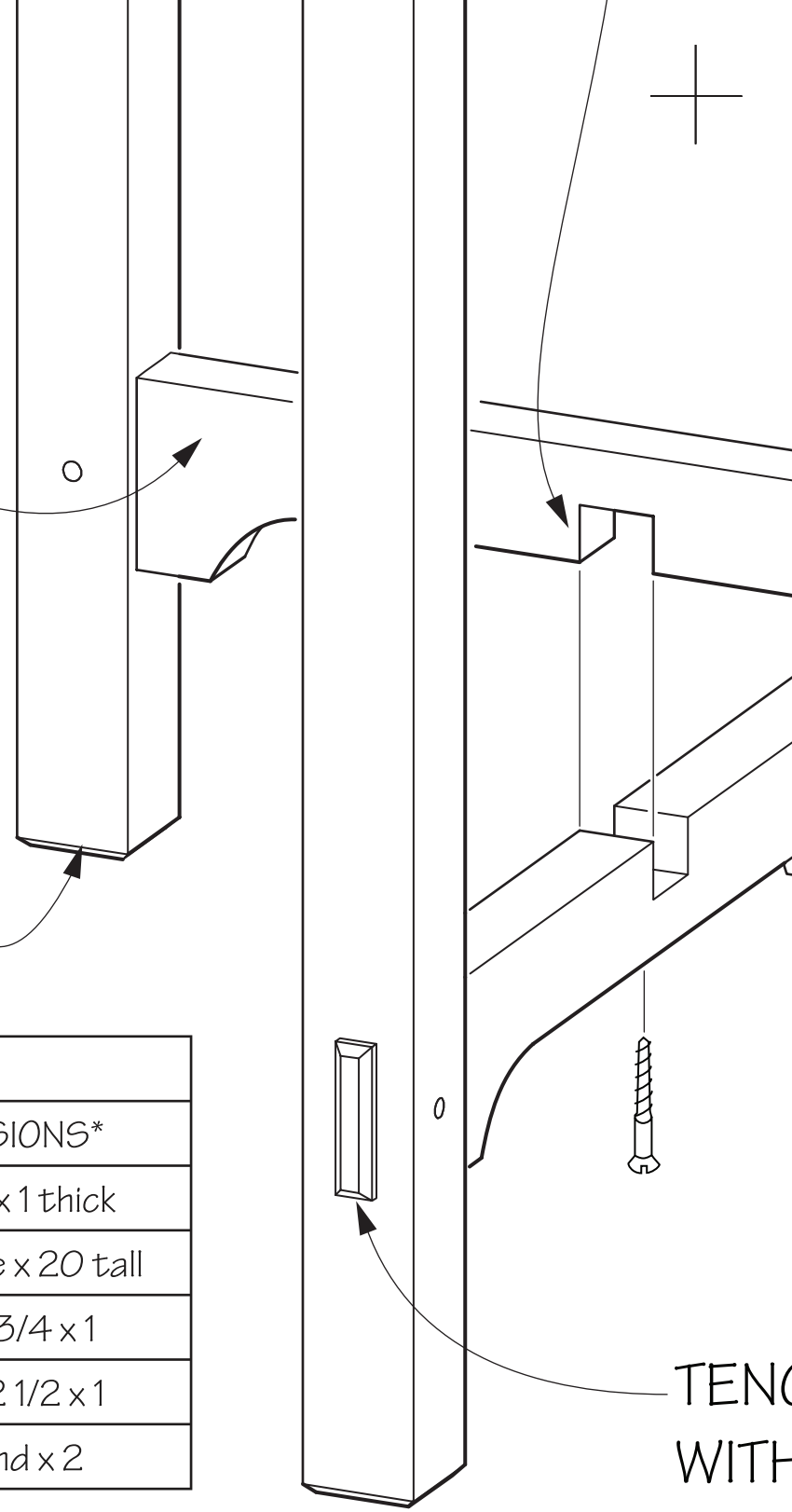
CUTLIST FOR ARTS	
PART	MATER
Top	White C
Leg	White C
Upper stretcher	White C
Lower stretcher	White C
Dowel	Ebon

*ALL MESUREMENTS IN INCHES.



LOWER STRETCHERS
 THICK BY 2-1/2" WIDE BY
 1-1/2" LONG.

1/8" CHAMFER
 BOTTOM OF LEGS.

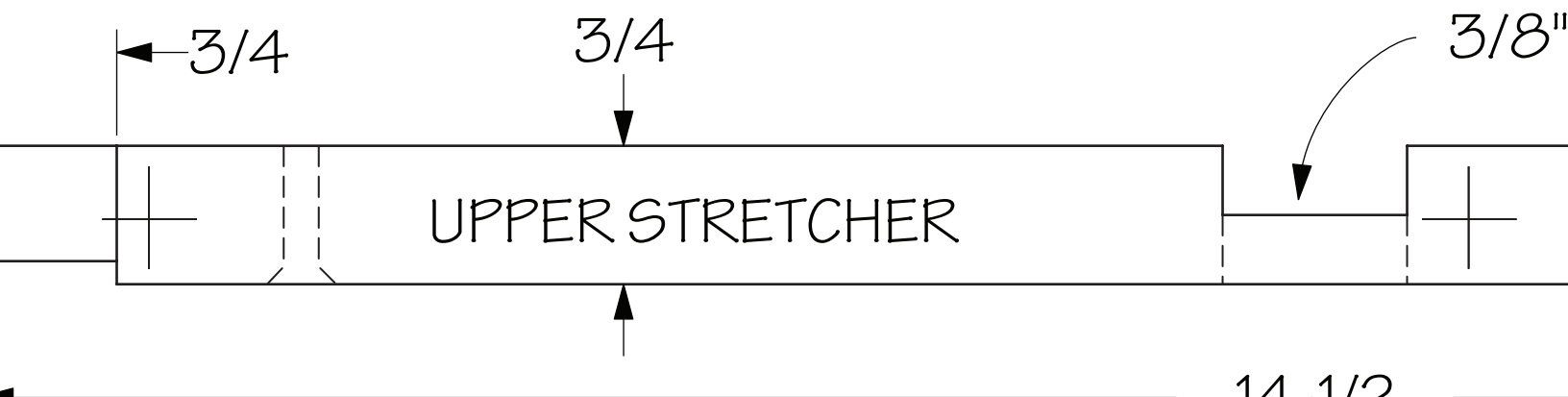


BILL OF MATERIALS FOR ARTS AND CRAFTS SIDE TABLE

	MATERIAL	QTY	DIMENSIONS*
	White Oak	1	18 round x 1 thick
	White Oak	4	1 1/2 square x 20 tall
Stretcher	White Oak	2	14 1/2 x 3/4 x 1
Stretcher	White Oak	2	16 1/2 x 2 1/2 x 1
	Ebony	4	1/4 round x 2

* DIMENSIONS IN INCHES.

TENON
 WITH



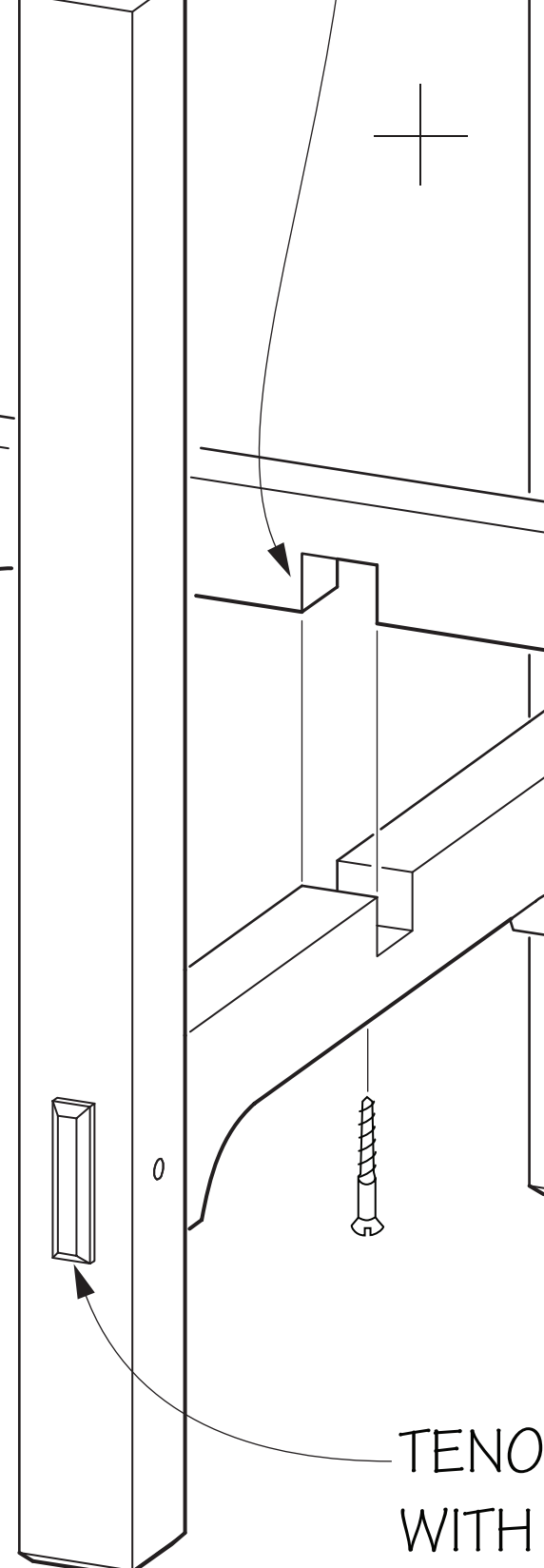
LOWER STRETCHERS
 THICK BY 2-1/2" WIDE BY
 1/2" LONG.

3/8" CHAMFER
 BOTTOM OF LEGS.

LIST FOR ARTS AND CRAFTS SIDE TABLE

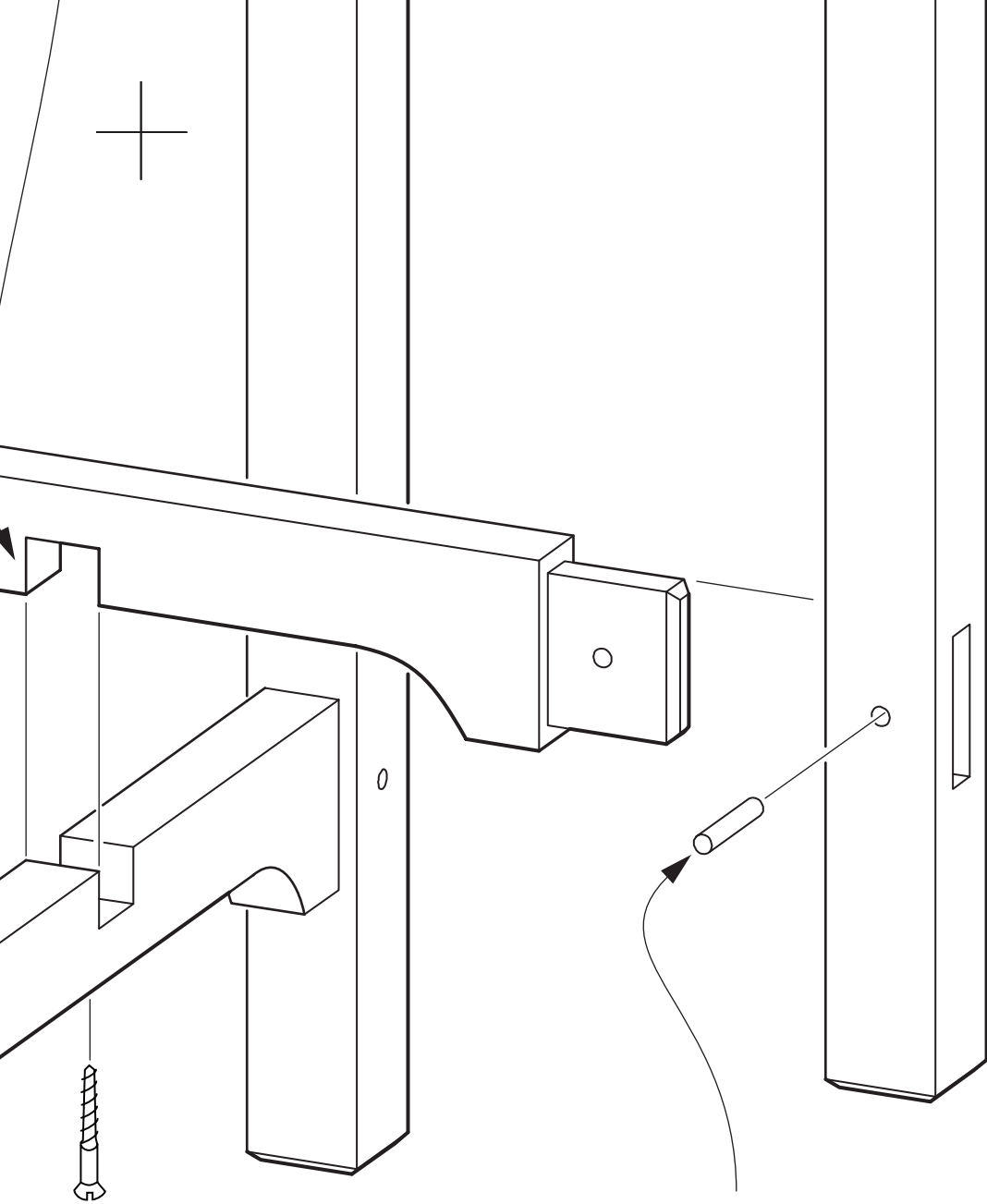
	MATERIAL	QTY	DIMENSIONS*
	White Oak	1	18 round x 1 thick
	White Oak	4	1 1/2 square x 20 tall
er	White Oak	2	14 1/2 x 3/4 x 1
er	White Oak	2	16 1/2 x 2 1/2 x 1
	Ebony	4	1/4 round x 2

* IN INCHES.



TENO
 WITH



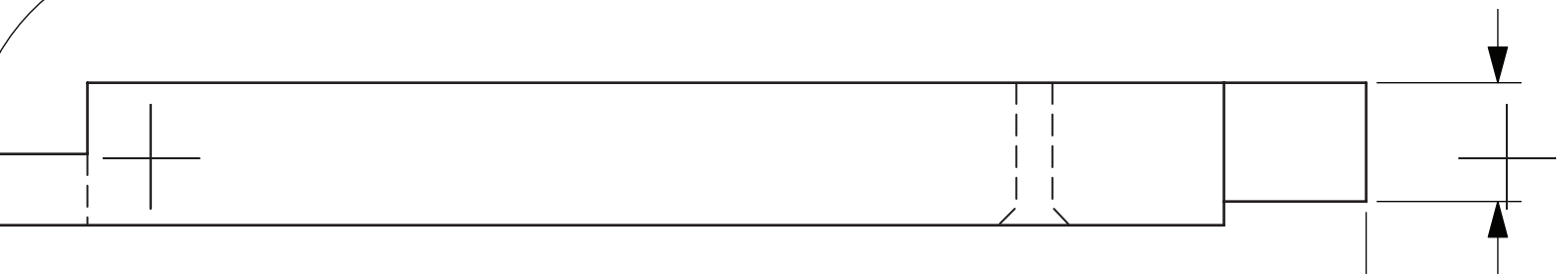


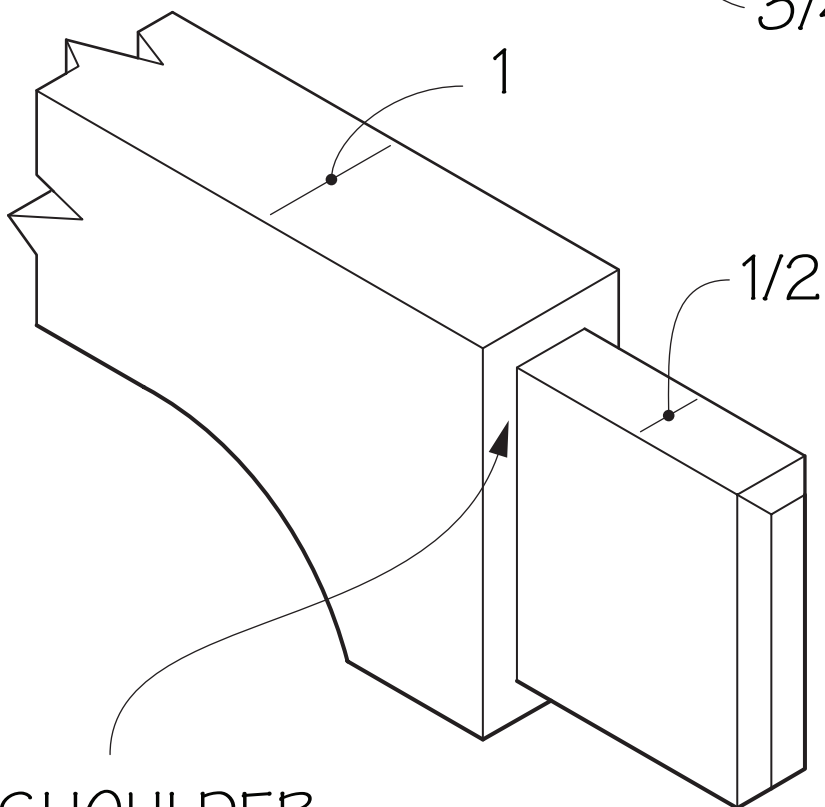
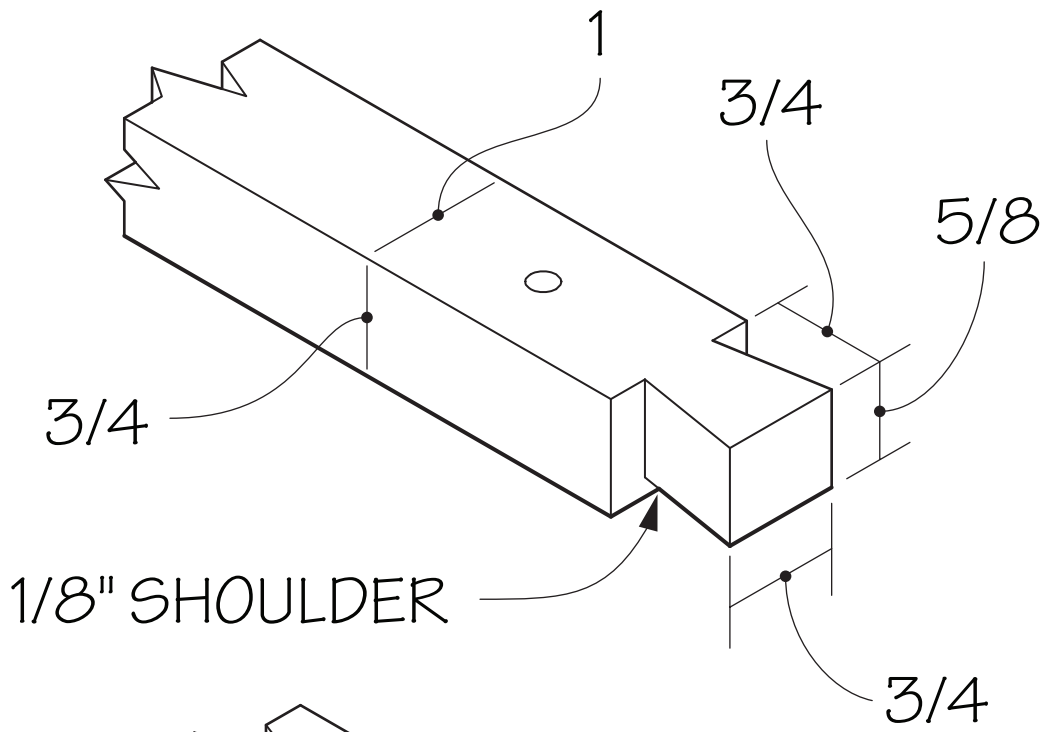
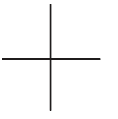
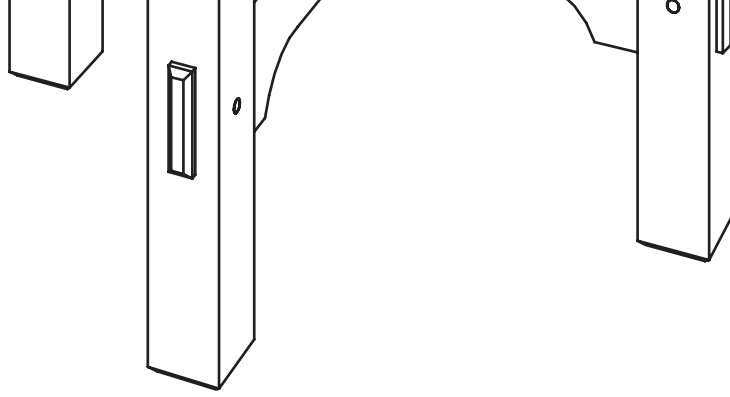
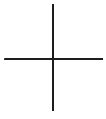
1/4" EBONY DOWEL

TENON PROTRUDES 1/4"
WITH 1/8" CHAMFER ON END.

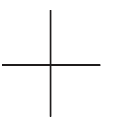
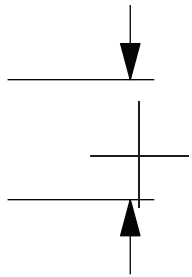
3/8" X 1" SLOTS FOR HALF-LAP JOINTS

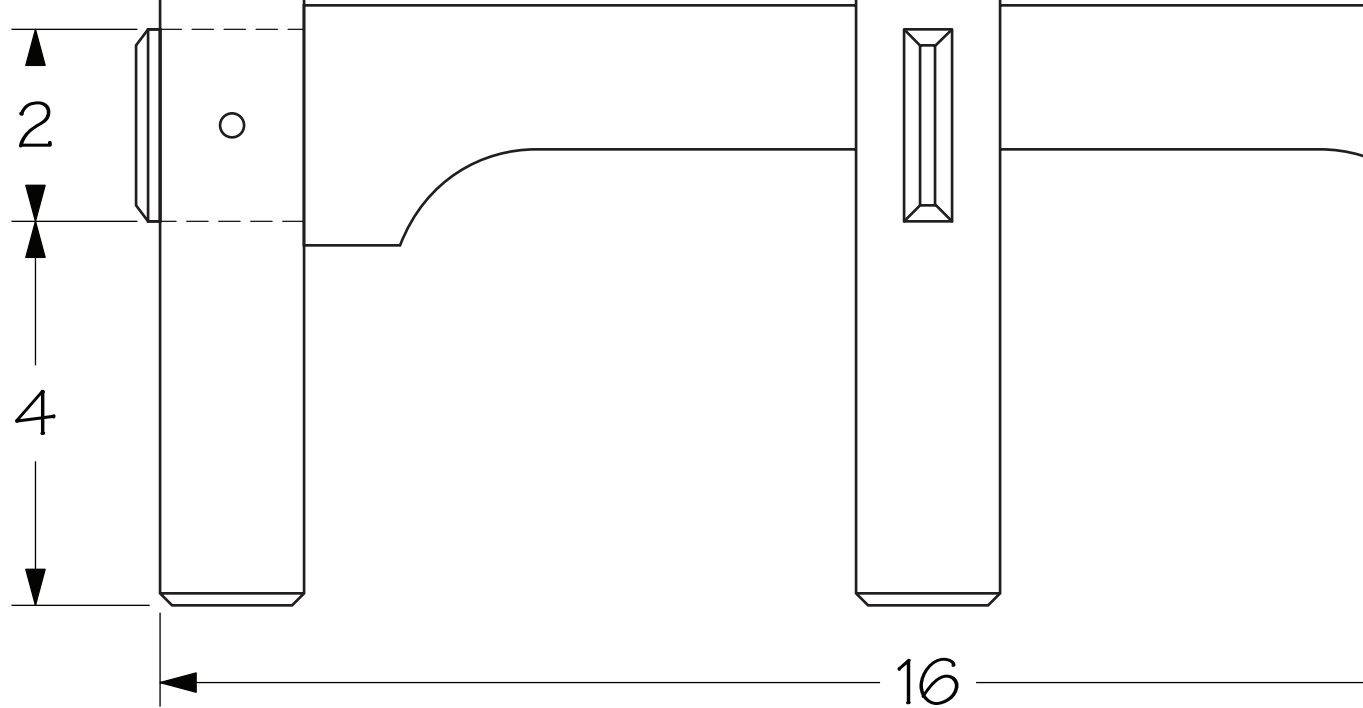
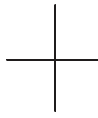
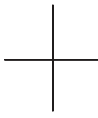
5/8



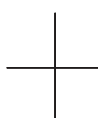
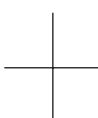


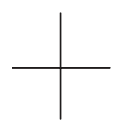
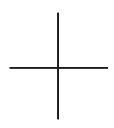
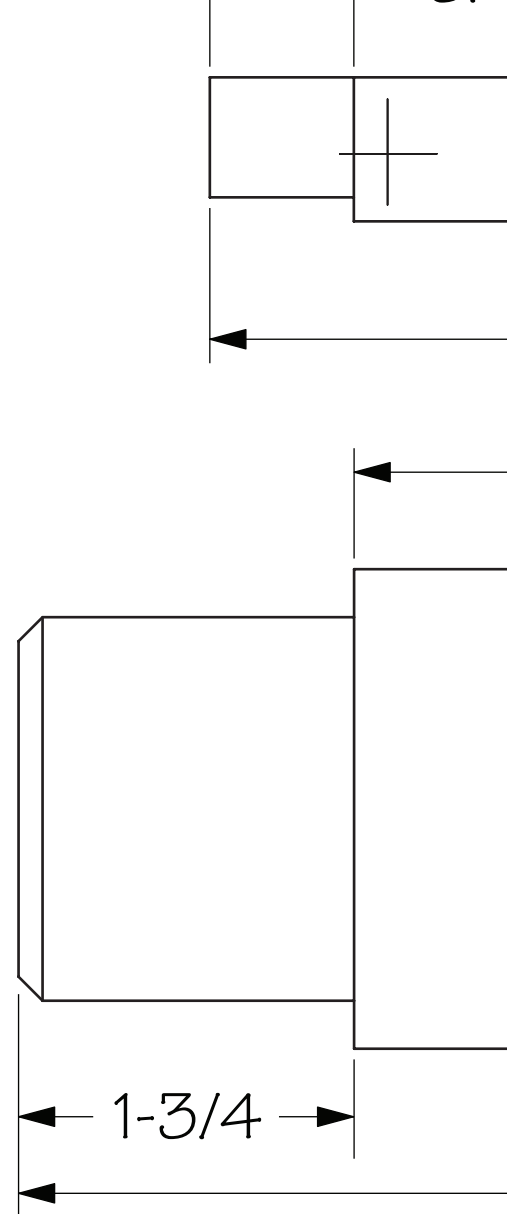
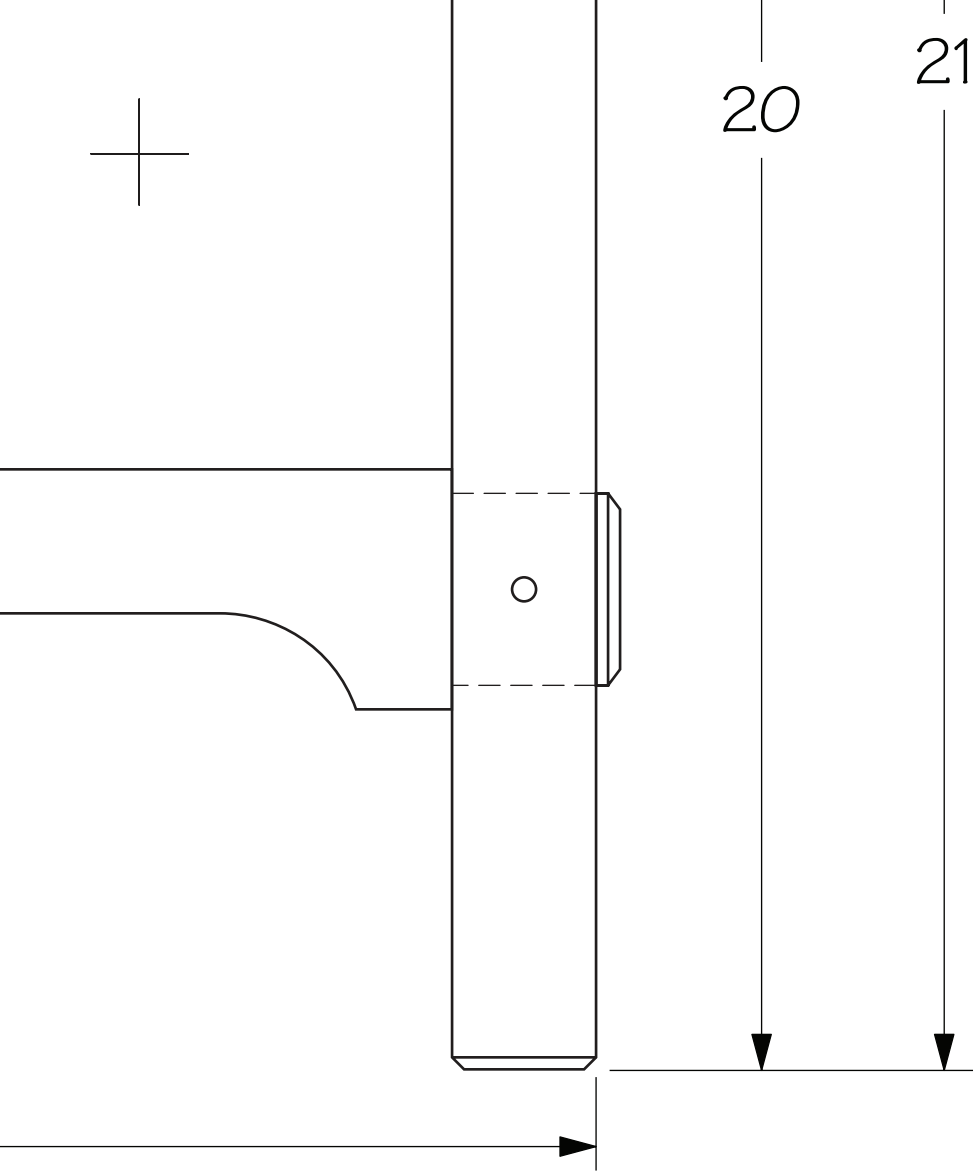
5/8

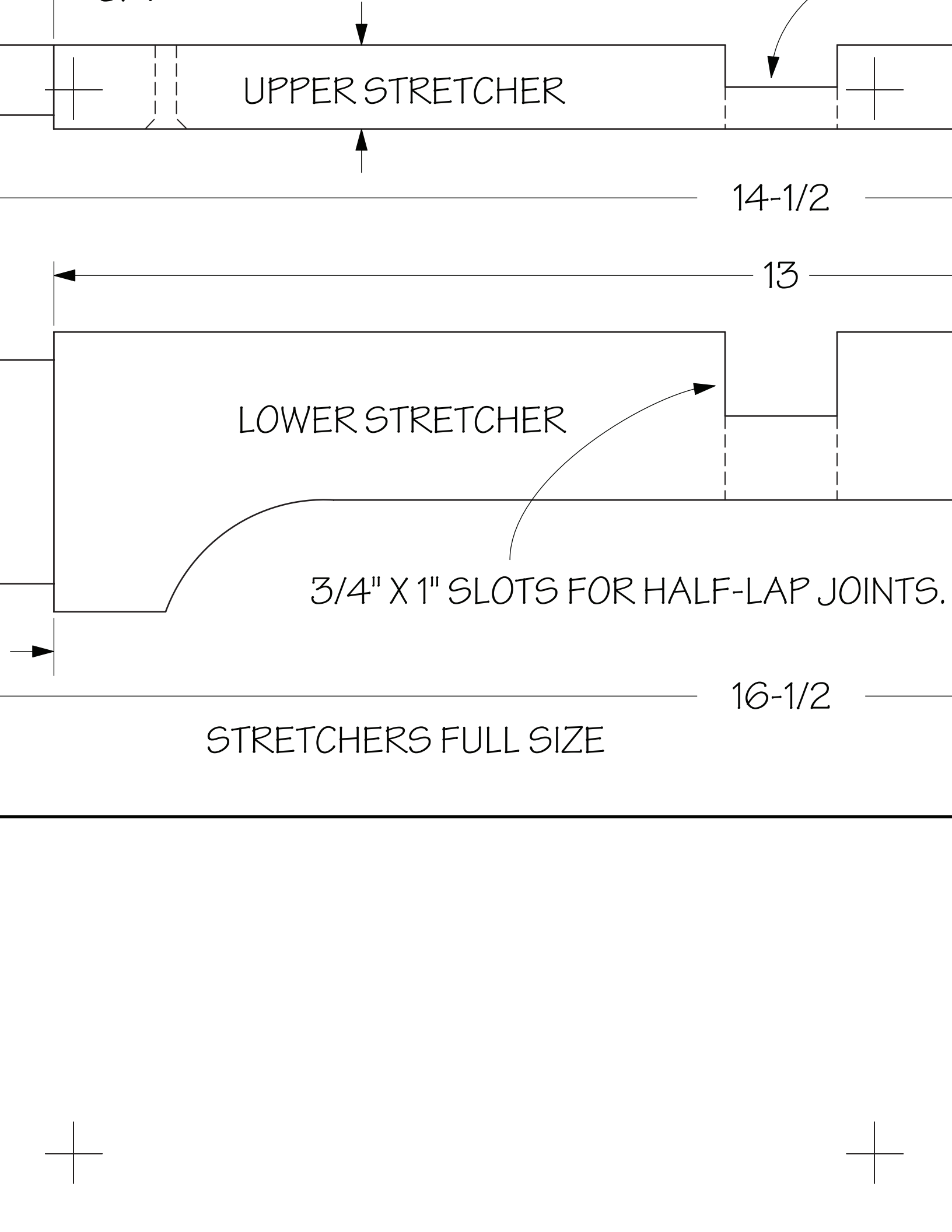


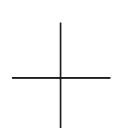
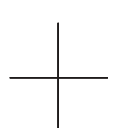
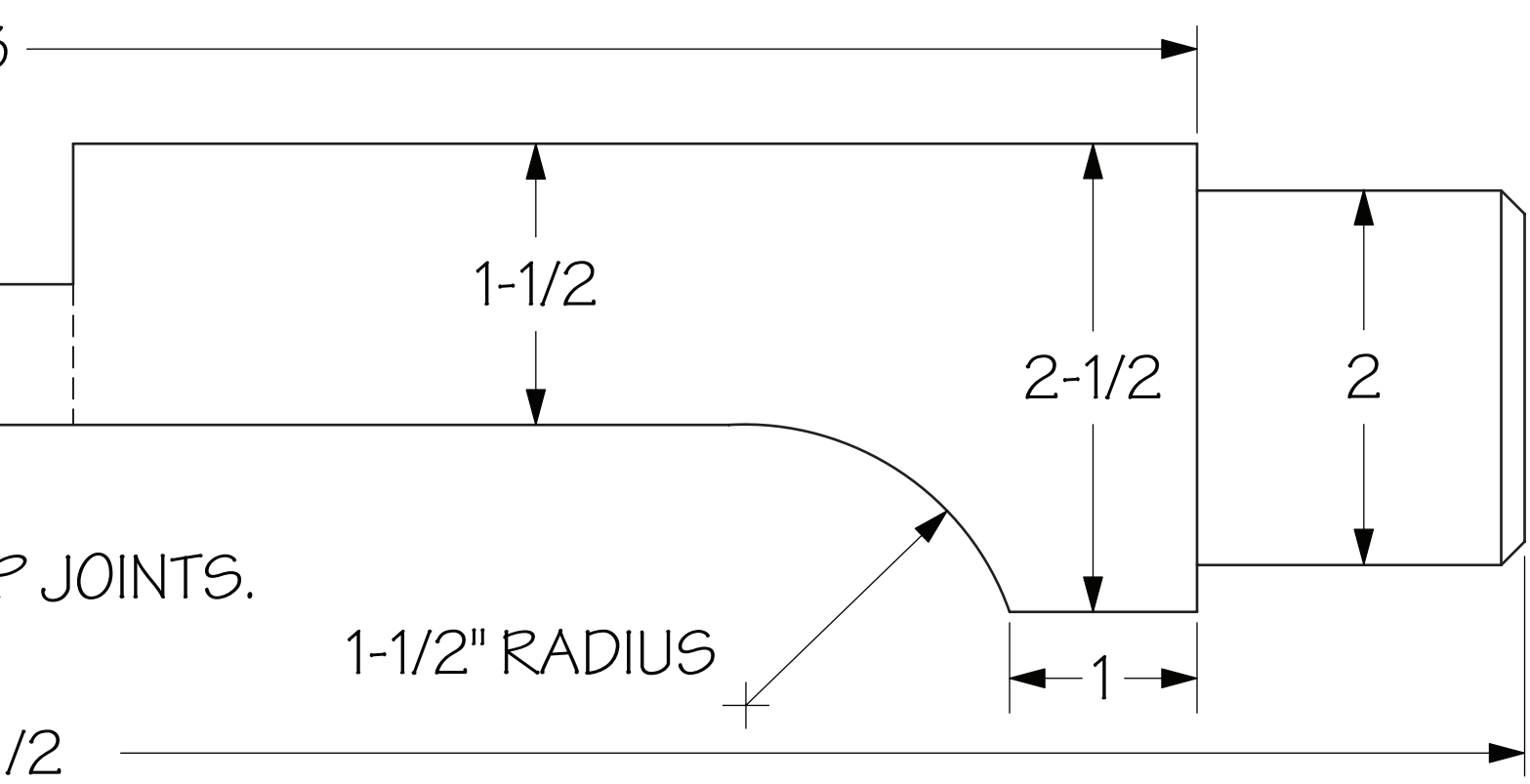
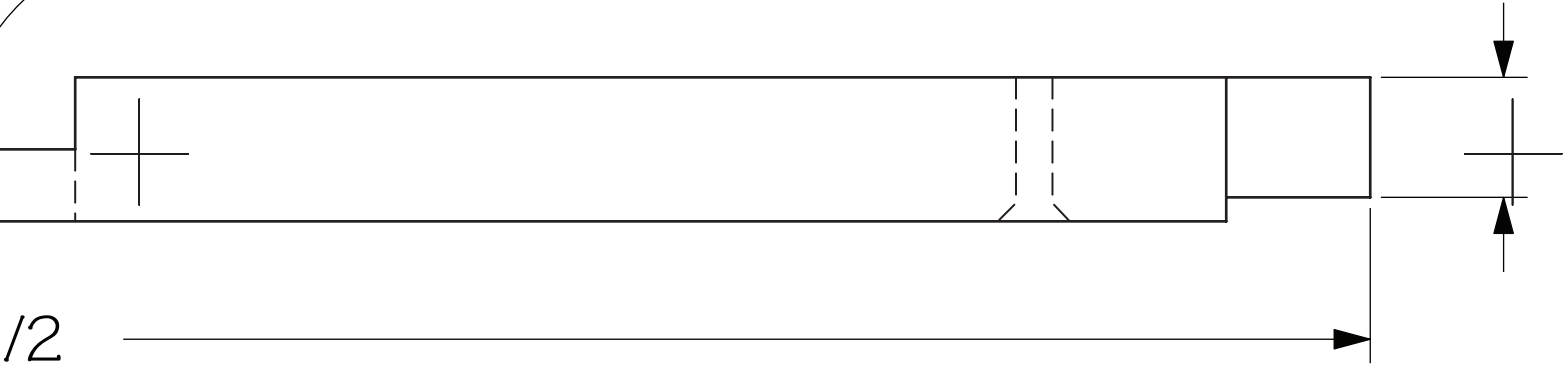


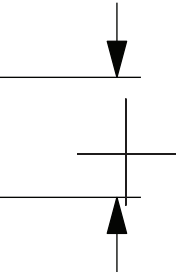
SIDE VIEW SCALE 1/2" = 1"



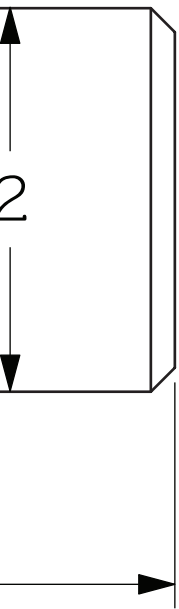
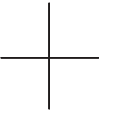
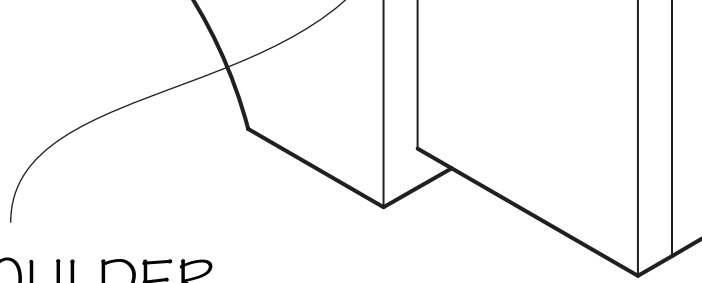








1/4" SHOULDER



Fine Wood Working

A&C SIDE TABLE

DESIGN: KELLY DUNTON

DRAWING: JOHN HARTMAN

DATE: 2006

